

FOX21

Moulded case compact "our smallest current transformer", for primary currents from 50 Amps to 300 Amps. With built in sliding sealable terminal covers.

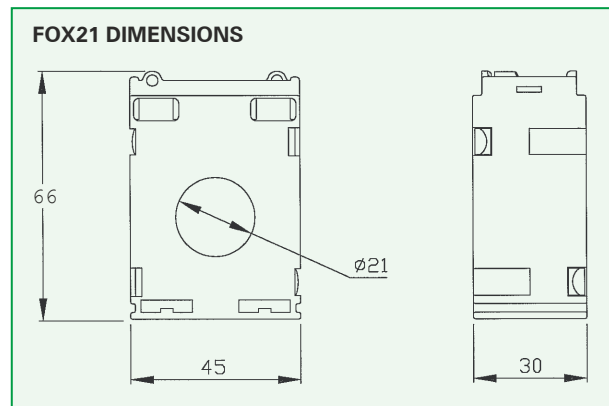
FEATURES

- Din rail or foot mounted
- Built in sliding sealable terminal covers
- Transformer width 45mm
- Max conductor size 21mm dia.
- 1 Amp or 5 Amp secondaries



P/No.	CLASS	VA
FOX21 50/5	1	1
FOX21 60/5	1	1.5
FOX21 80/5	1	1.5
FOX21 100/5	1	2.5
FOX21 150/5	1	2.5
FOX21 200/5	1	2.5
FOX21 250/5	1	2.5
FOX21 300/5	1	2.5

Some of the above ratios are available as Class 0.5 to special order, please consult our sales office.



FOX30.1

Moulded case compact current transformers, for primary currents from 100 Amps to 600 Amps. With built in sliding sealable terminal covers.

FEATURES

- Din rail, bus-bar or foot mounted
- Built in sliding sealable terminal covers
- Transformer width 50mm
- Max conductor size 24mm dia.
- Max bus-bar size 30x10mm or 20x20mm
- 1 Amp or 5 Amp secondaries



P/No.	CLASS	VA
FOX30.1 100/5	1	2.5
FOX30.1 150/5	1	2.5
FOX30.1 200/5	1	2.5
FOX30.1 250/5	1	2.5
FOX30.1 300/5	1	2.5
FOX30.1 400/5	1	5
FOX30.1 500/5	1	5
FOX30.1 600/5	1	5

All of the above ratios are available as Class 0.5 to special order, please consult our sales office.

