

18, 32 & 44mm ID SPLIT CORE CURRENT TRANSFORMERS & TRANSDUCERS

TYPES: FOX.SC18, FOX.SC32 & FOX.SC44



5

FEATURES

- 18mm, 32mm & 44mm internal diameter
- Integral ratchet style cable clamp
- "Click shut" closing action
- Primary currents 50 Amps to 1000 Amps
- Accuracy Class 1
- 5 Amp, 1 Amp, 0-333mVAC, 4-20mA secondaries

DESCRIPTION

Very compact split core devices available as current transformers or as current sensors, ideal for retro fitting in tight for space, existing installations. Secondary outputs available are:-

5 Amp (certain ratios).

1 Amp (certain ratios).

0-333mVAC for use with energy meters such as the 333mVAC input ND range, applicable when CT's have to be mounted a distance away from the meters and the overall VA required using traditional 5 Amp or 1 amp secondary CT's is greater than the VA available from the CT, using 333mVAC alleviates this scenario.

4-20mA loop powered 24VDC, maximum loop impedance 300 Ohms.

These devices feature an integral ratchet style cable fixing clamps, an easy "click shut" closing action and are supplied with 2.5 m of 0.75mm colour coded flying leads, 5 Amp secondary units have 0.5 m of 1.5mm of flying leads.

SPECIFICATIONS

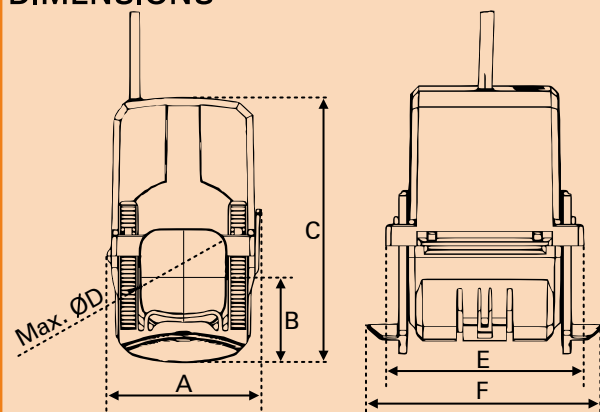
General

Continuous over current: $1.2 \times I_n$
 Max short time current: $60 \times I_n$ 1sec
 Max system voltage: 720V 50-60Hz
 Isolation test voltage: 3KV 50Hz 1min
 Isolation class: E
 Operating temperature: -5°C to $+50^\circ\text{C}$
 Standards: DIN EN60044/1
 VDE 0414/1
 CE marked: Yes

4-20mA output

Output: 4-20mA loop powered
 Loop voltage: 24VDC +/-15%
 Power consumption: 1W max
 Max loop impedance: 300 Ohms
 Max output on overload: 30mA
 Response time: <300mSec

DIMENSIONS



PART No	A	B	C	D	E	F
FOX.SC18	41.6	23	64.5	18.5	55	67.3
FOX.SC32	59.2	28.5	96.4	32.5	75	89.2
FOX.SC44	72.2	34.5	120.6	44	85	98.1