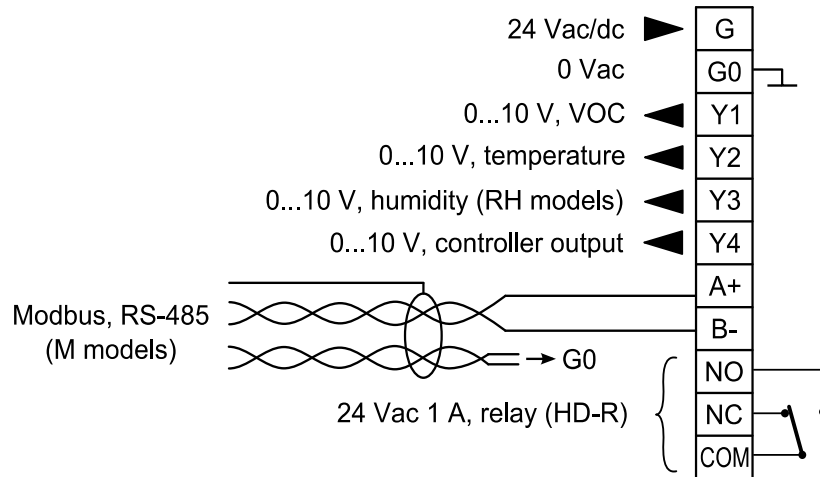


## MOUNTING

### Wiring

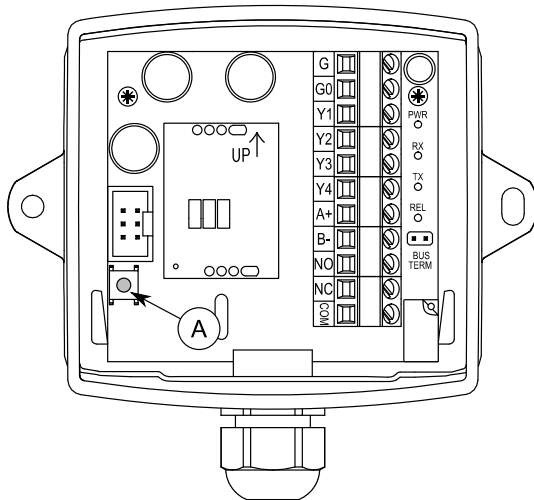


Device wiring and commissioning can only be carried out by qualified professionals. Always make the wirings while the power is switched off.



## SELECTING THE MEASUREMENT INFORMATION TO BE VIEWED ON THE DISPLAY

The measurement values scroll on the N model display. The wanted value can be locked to view continuously by pressing the S1 button. You resume to the scrolling view by pressing the S1 button again.



A. S1 button

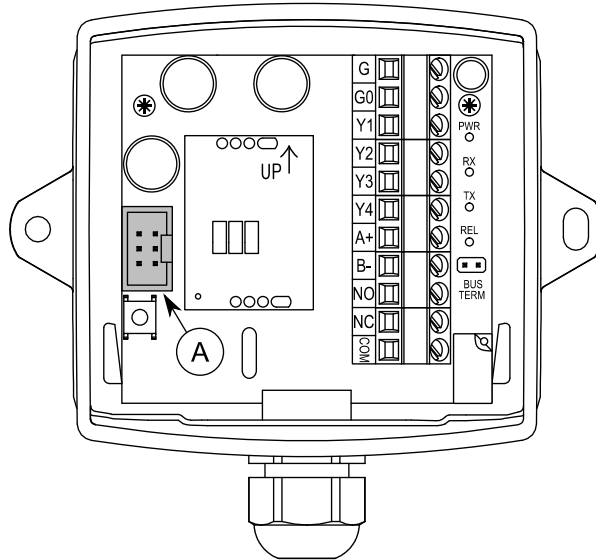
**NOTE:** In M models, the shown measurement information can be selected also via Modbus.

## ML-SER TOOL

With the ML-SER tool you can change the device settings, controller and Modbus settings for example.

### Connecting ML-SER tool to the device

1. Disconnect the display cable.
2. Connect the ML-SER cable to the connector.



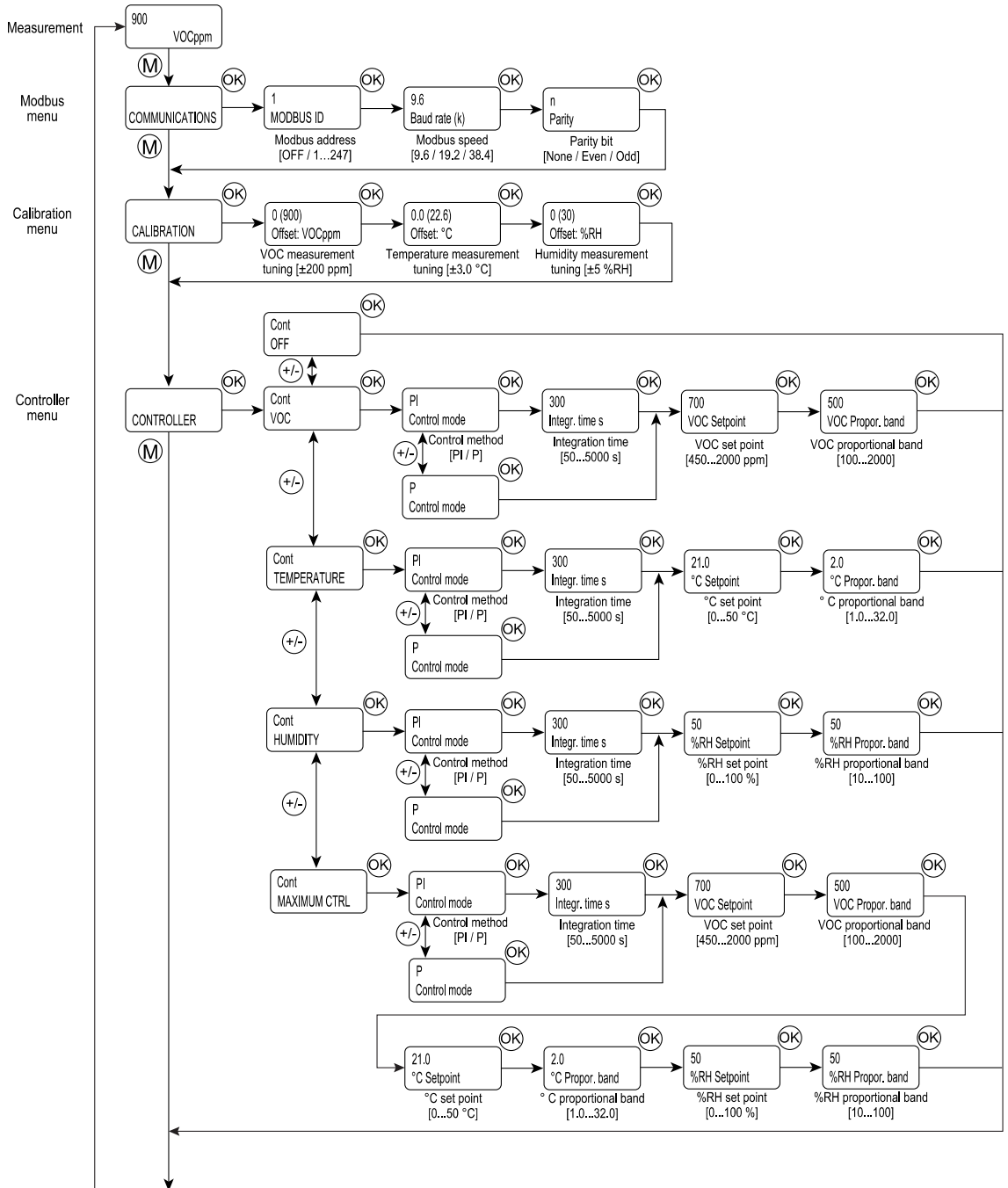
A. ML-SER cable connector

VOC measurement value shows on the ML-SER tool display.

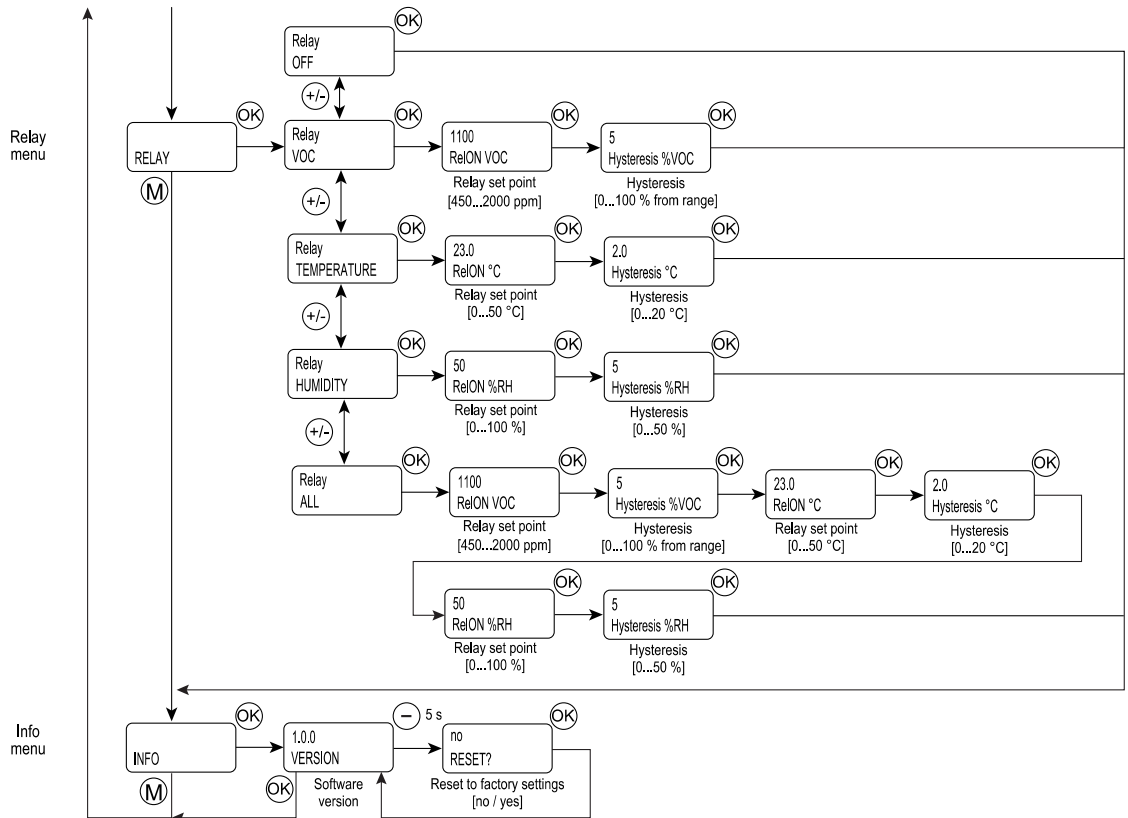
**ML-SER menu**

ML-SER menu opens by pressing the M button. The values can be changed with the "+" and "-" buttons. The menu is device-specific and the content depends on the device and installed options.

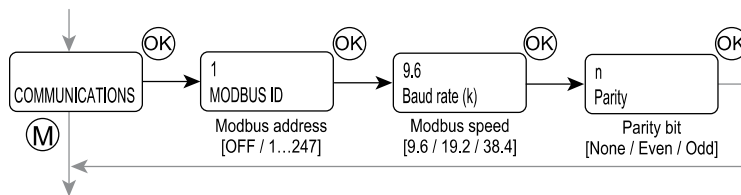
The following menu structure contains the factory settings.



The diagram continues on the next page.

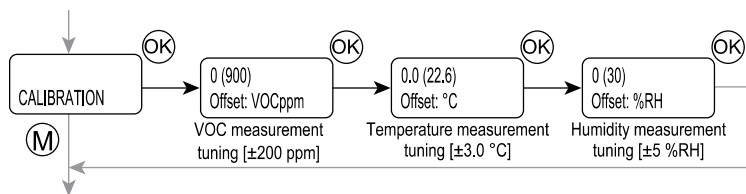


**Modbus menu**



Modbus menu is available in M models. The bus settings can be changed through the menu.

**Calibration menu**

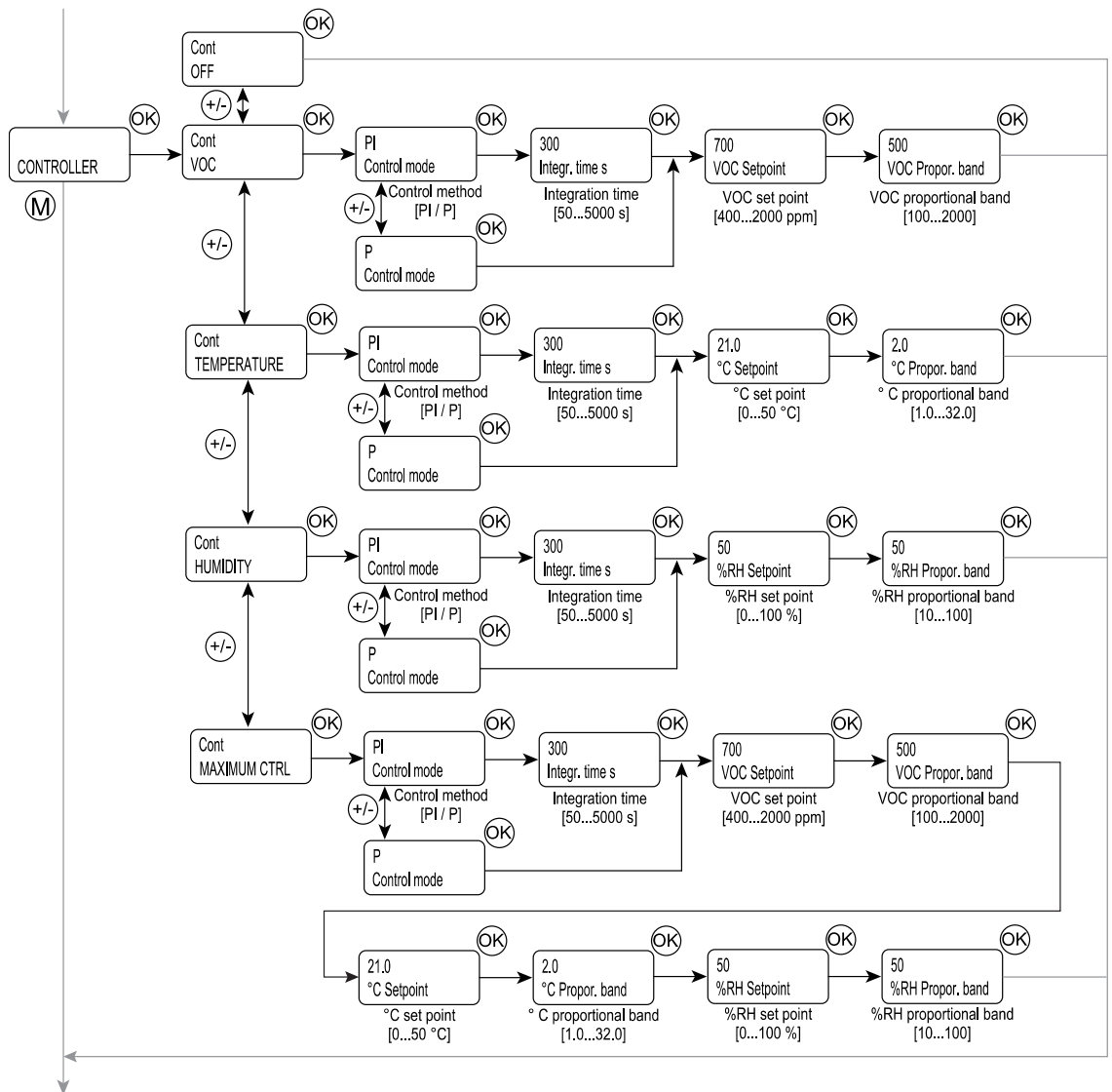


All the measurements can be tuned through the calibration menu. The humidity tuning is available only in RH models.

- The VOC value can be adjusted by 10 ppm steps.
- The temperature value can be adjusted by 0.1 °C steps.
- The humidity value can be adjusted by 1 % steps.

ML-SER tool display shows how much the current value is tuned. The measured value is shown in brackets after the tuning value.

**Controller menu**

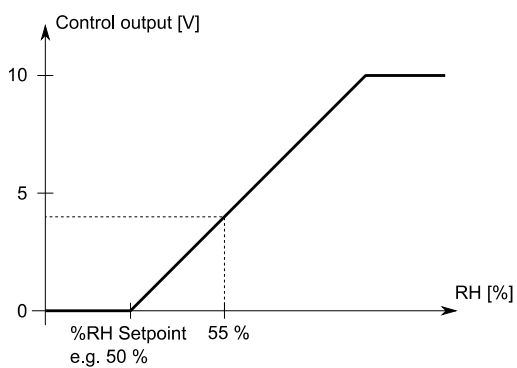
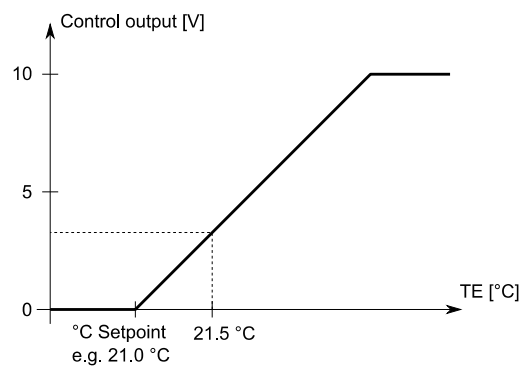
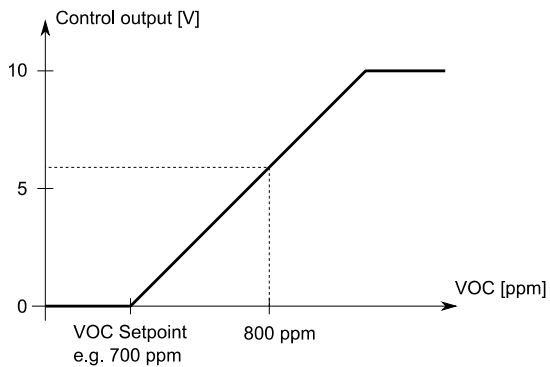


The control output can be controlled either according to a one measurement value or according to the maximum selection of all values. Humidity related settings are only available in RH models.

- The VOC values can be adjusted by 10 ppm steps.
- The temperature values can be adjusted by 0.1 °C steps.
- The humidity values can be adjusted by 5 % steps.

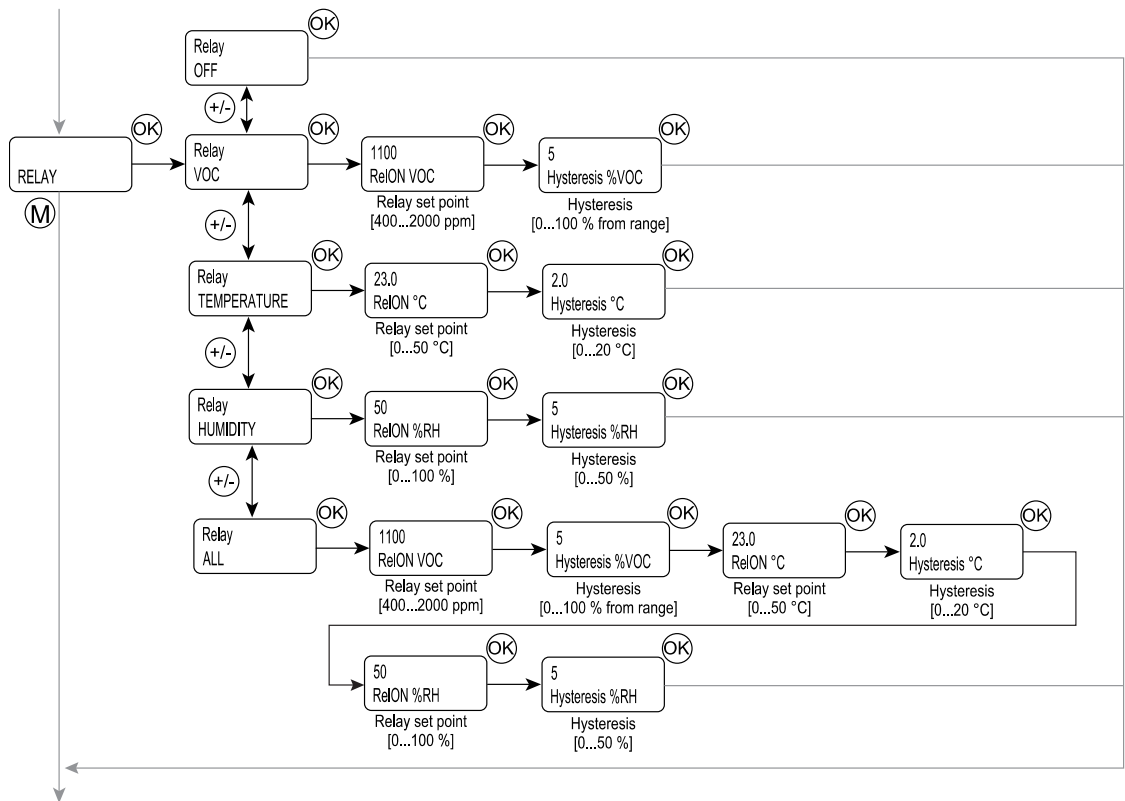
In the maximum selection control, the control output signal is formed according to the measurement that causes the largest control signal value. The following situation is described in the example figure:

- VOC level is 800 ppm
- Temperature is 21.5 °C
- Humidity is 55 %



VOC = 6 V  
Temperature = 3 V  
Humidity = 4 V } → Control output = 6 V

**Relay menu**



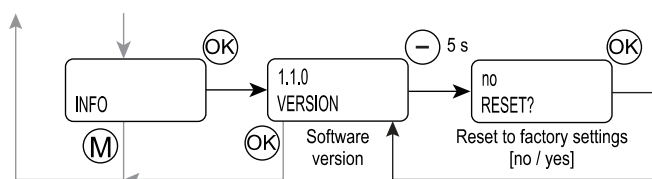
Relay menu is available if HD-R option is installed. The relay switching point and hysteresis can be changed through the menu.

The relay output can be controlled either according to a one measurement value or according to the all values. Humidity related settings are only available in RH models.

- The VOC values can be adjusted by 10 ppm steps.
- The temperature values can be adjusted by 0.1 °C steps.
- The humidity values can be adjusted by 1 % steps.

When the output is controlled according to the all values, the relay activates when one measured value exceeds the set point.

**Info menu**



You can check the device software version and reset the device to factory settings through the Info menu.

## MODBUS

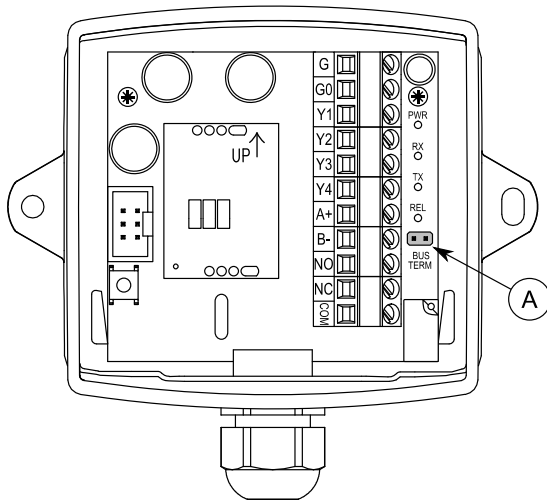
### Bus properties

Protocol	RS-485 Modbus RTU
Bus speed	9600/19200/38400 bps
Data bits	8
Parity	none/odd/even
Stop bits	1
Network size	up to 128 devices per segment

The parameter memory durability allows at least 1 million write cycles.

### Bus termination

The Modbus can be terminated by placing the BUS TERM jumper.



A. BUS TERM jumper

### Modbus function codes

The device supports the following Modbus function codes.

0x01	Read Coils
0x02	Read Discrete Inputs
0x03	Read Holding Registers
0x04	Read Input Registers
0x05	Write Single Coil
0x06	Write Single Register
0x0F	Write Multiple Coils
0x10	Write Multiple Registers
0x17	Read/Write Multiple Registers



### Modbus registers

**NOTE:** If you try to write a parameter value that is beyond the parameter value range, the value will be replaced by the nearest acceptable value.

Example:

1. The register value range is -500...500.
2. You try to write the value 600 to the register.  
-> the value 500 is written to the register.

### Coils

Register	Parameter description	Data type	Values	Range	Default
1	Y1 output overdrive activation	Bit	0 - 1	0: Off, 1: On	0
2	Y2 output overdrive activation	Bit	0 - 1	0: Off, 1: On	0
3	Y3 output overdrive activation	Bit	0 - 1	0: Off, 1: On	0
4	Y4 output overdrive activation	Bit	0 - 1	0: Off, 1: On	0
5	Relay overdrive activation	Bit	0 - 1	0: Off, 1: On	0
6	Relay overdrive	Bit	0 - 1	0: Off, 1: On	0

### Discrete inputs

Register	Parameter description	Data type	Values	Range
10001	Relay status	Bit	0 - 1	0: Off, 1: On

### Input registers

Register	Parameter description	Data type	Values	Range
30001	VOC measurement (CO <sub>2</sub> equivalent)	Signed 16	0...2000	0...2000 ppm
30002	Temperature measurement	Signed 16	0...500	0.0...50.0 °C
30003	Humidity measurement	Signed 16	0...100	0...100 %
30004	Y1 output voltage	Unsigned 16	0...1000	0.00...10.00 V
30005	Y2 output voltage	Unsigned 16	0...1000	0.00...10.00 V
30006	Y3 output voltage	Unsigned 16	0...1000	0.00...10.00 V
30007	Y4 output voltage	Unsigned 16	0...1000	0.00...10.00 V

### Holding registers

Register	Parameter description	Data type	Values	Range	Default
40001	Y1 output overdrive	Signed 16	0...1000	0...10.00 V	0
40002	Y2 output overdrive	Signed 16	0...1000	0...10.00 V	0
40003	Y3 output overdrive	Signed 16	0...1000	0...10.00 V	0
40004	Y4 output overdrive	Signed 16	0...1000	0...10.00 V	0
40005	VOC measurement tuning (offset)	Signed 16	-200...200	-200...200 ppm	0
40006	Temperature measurement tuning (offset)	Signed 16	-30...30	-3.0...3.0 °C	0
40007	Humidity measurement tuning (offset)	Signed 16	-5...5	-5...5 %	0
40008	Control method	Signed 16	0 - 1	0: P 1: PI	1
40009	Controller output	Signed 16	0 - 1 - 2 - 3 - 4	0: OFF 1: VOC 2: temperature 3: humidity 4: maximum selection	1
40010	Set point, VOC	Signed 16	450...2000	450...2000 ppm	700

Register	Parameter description	Data type	Values	Range	Default
40011	Set point, temperature	Signed 16	0...500	0.0...50.0 °C	210
40012	Set point, humidity	Signed 16	0...100	0...100 %	50
40013	Proportional band, VOC	Signed 16	100...2000	100...2000 ppm	500
40014	Proportional band, temperature	Signed 16	10...320	1.0...32.0 °C	20
40015	Proportional band, humidity	Signed 16	10...100	10...100 %	50
40016	Integration time	Signed 16	50...5000	50...5000 s	300
40017	Relay set point, VOC	Signed 16	450...2000	450...2000 ppm	1100
40018	Relay hysteresis, VOC	Signed 16	0...100	0...100 %	5
40019	Value shown on the display	Signed 16	0 - 1 - 2 - 3	0: VOC 1: temperature 2: humidity 3: scrolling	3
40020	Not in use	Signed 16	-	-	1
40021	Not in use	Signed 16	-	-	0
40022	Relay set point, temperature	Signed 16	0...500	0.0...50.0 °C	230
40023	Relay set point hysteresis, temperature	Signed 16	0...200	0.0...20.0 °C	20
40024	Relay set point, humidity	Signed 16	0...100	0...100 %	50
40025	Relay set point hysteresis, humidity	Signed 16	0...50	0...50 %	5
40026	Relay function	Signed 16	0 - 1 - 2 - 3 - 4	0: OFF 1: VOC 2: temperature 3: humidity 4: all	1