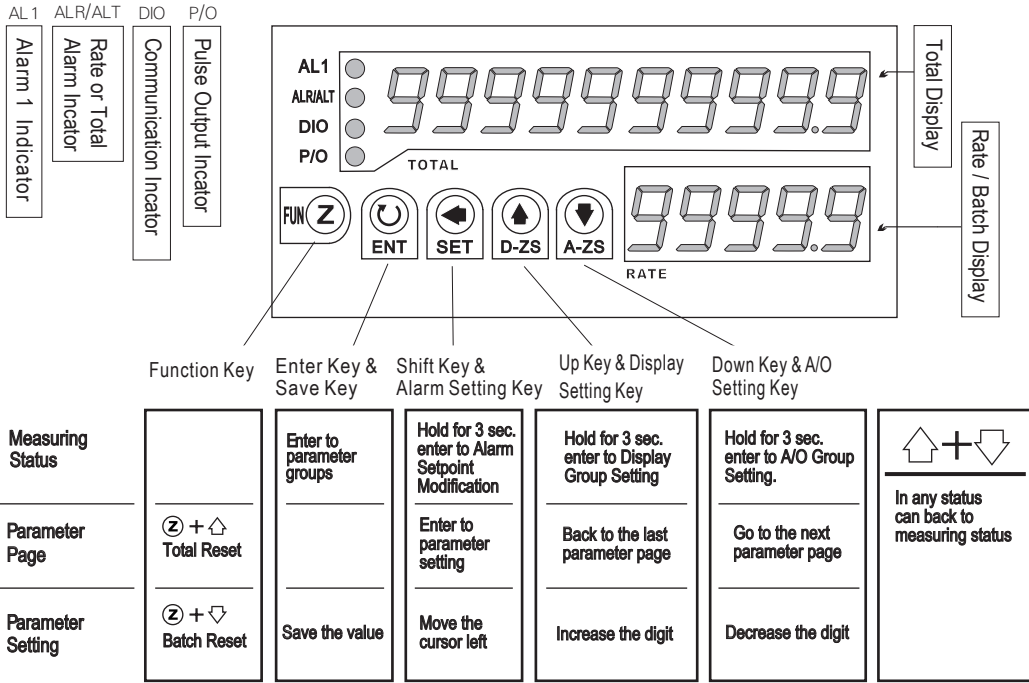
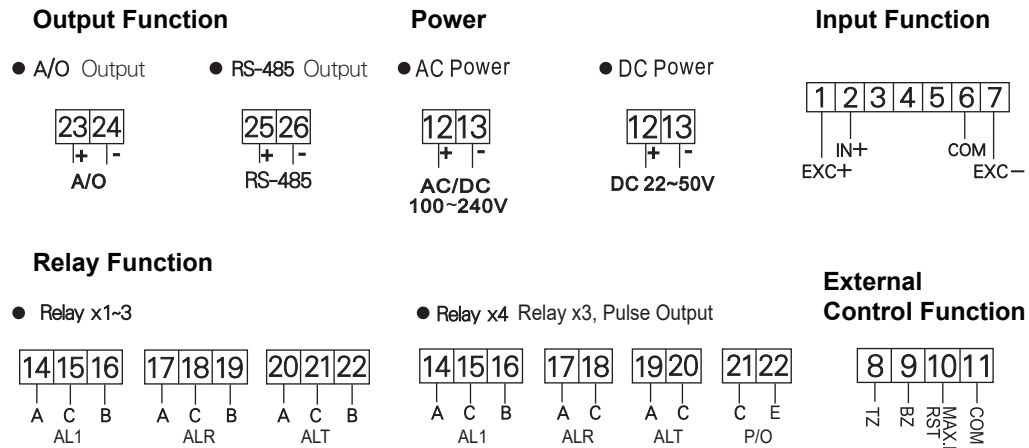


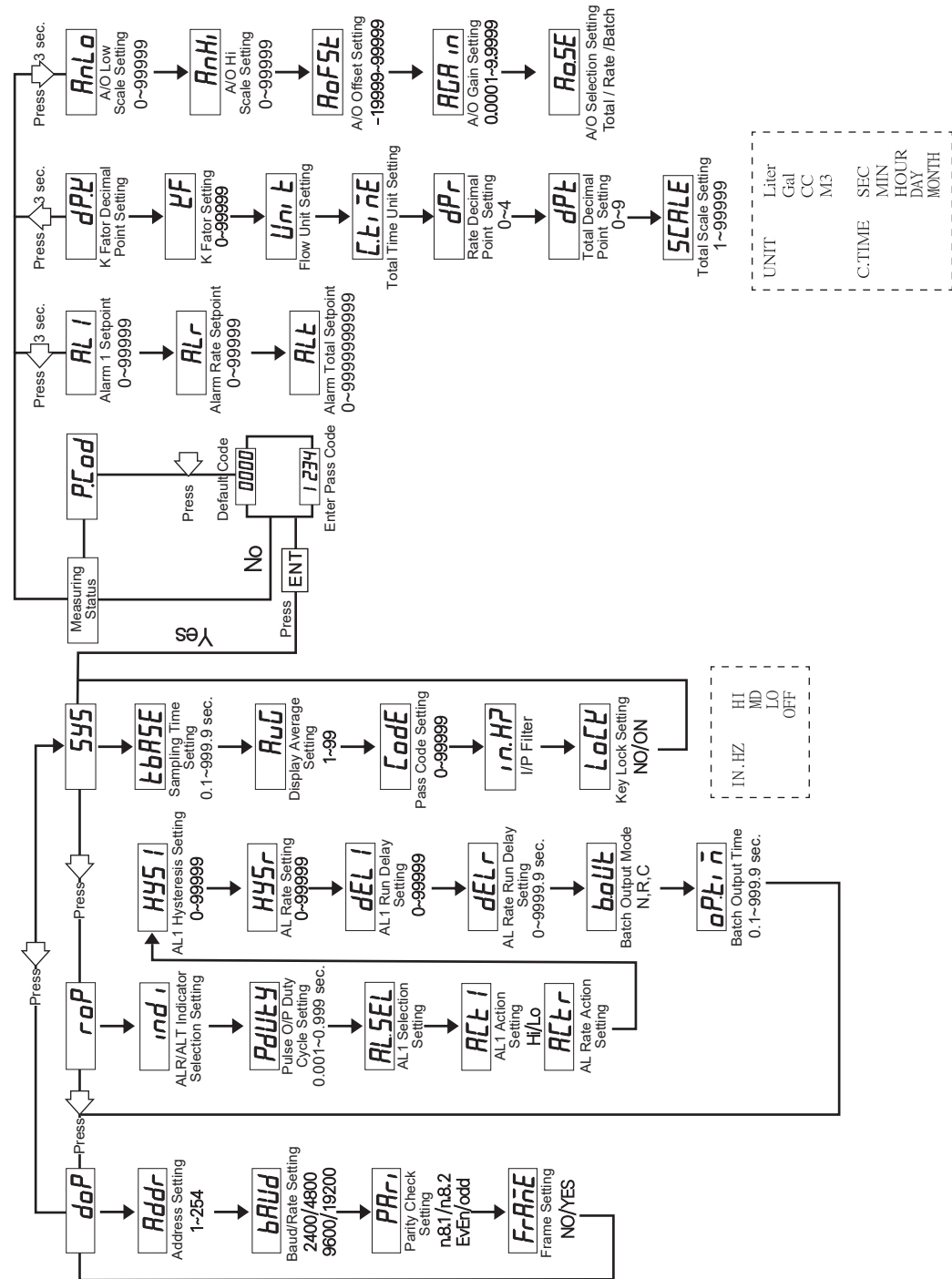
KEY FUNCTIONS



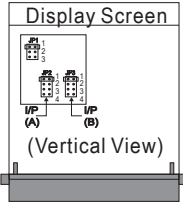
WIRING CONNECTION



Programming Mode Operating Procedures



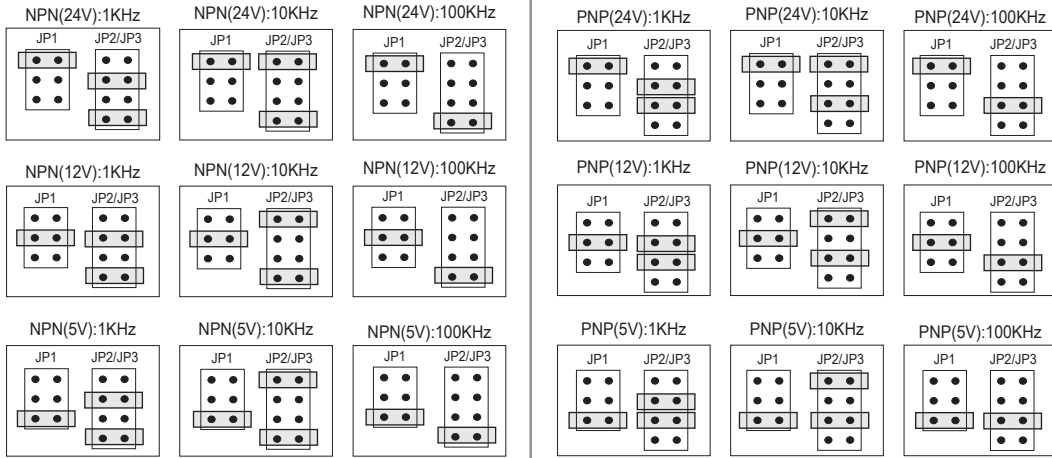
Input Signal Modification



**To Select the pin to modify the input signal for different sensors.
PS: In dual input type, excitation power must be the same.

JP1	JUMPER	DEFINITION
	1	Close: 24V
	2	Close: 12V
	3	Close: 5V

JP2/JP3	JUMPER	DEFINITION
	1	Close: 10KHz
	2	Open: 100KHz
	3	Open: NPN; Close: PNP
	4	Open: PNP; Close: NPN



ERROR CODE OF SELF-DIAGNOSIS

- ioFL** Input signal is over 120% of input range.
- doFL** Input signal is over display range (999999).
- E-oo** EEPROM reading / writing suffers the interference (about 1 million times).

Modbus RTU Mode Protocol Address Table

** Data form: 16 / 32 bit, +/-8000~7FFF(-32768~32767), 80000007FFFFFF(-2147483648~2147483647)

Modbus	Hex	Name	Act	Discriptions
40001	0000	ID	R	Model number identification; GTR is 01
40002	0001	STATUS	R	Current alarm output & external control input status, range: 0000~00F0 (0~240) (Bit 7: P/O, Bit 6: ALT, Bit 5: ALR, Bit 4: AL1) 0:Off, 1:On
40005	0004	BAUD	R/W	Baud rate setting; range: 0000~0003 (0~3) 0:2400, 1:4800, 2:9600, 3:19200
40006	0005	PARI	R/W	Parity setting; range: 0000~0003 (0~3), 0:N.8.1., 1:N.8.2., 2:EVEN, 3:ODD
40007	0006	AVG	R/W	Display average setting; range: 0001~0063 (1~99)
40008	0007			
40009	0008	ADDR	R/W	Address setting; range: 0000~00FF (1~254)
40019	0012	CODE	R/W	Pass code setting; range: 00000000~0001869F (0~99999) Hi Bit
40020	0013		R/W	Pass code setting; range: 00000000~0001869F (0~99999) Low Bit
40021	0014	DPK	R/W	K factor decimal point setting, range: 0000~0004 (0~4); 0:10 ¹ ; 1:10 ² ; 2:10 ³ ; 3:10 ⁴ ; 4:10 ⁵
40022	0015	DPR	R/W	Rate decimal point setting, range: 0000~0004 (0~4); 0:10 ¹ ; 1:10 ² ; 2:10 ³ ; 3:10 ⁴ ; 4:10 ⁵
40023	0016	DPT	R/W	Decimal point setting, range: 0000~0009 (0~9); 0:10 ¹ ; 1:10 ² ; 2:10 ³ ; 3:10 ⁴ ; 4:10 ⁵ ; 5:10 ⁶ ; 6:10 ⁷ ; 7:10 ⁸ ; 8:10 ⁹ ; 9:10 ¹⁰
40024	0017	KF	R/W	K factor setting, range: 00000001~0001869F (1~99999) Hi Bit
40025	0018		R/W	K factor setting, range: 00000001~0001869F (1~99999) Low Bit
40039	0026	ALR	R/W	Rate alarm setting, range: 00000000~0001869F (0~99999) hi Bit
40040	0027		R/W	Rate alarm setting, range: 00000000~0001869F (0~99999) Low Bit
40041	0028	AL1	R/W	Alarm 1, range: 0000000000000000~0000002540BE3FF (0~999999999)
40042	0029		R/W	Alarm 1, range: 0000000000000000~0000002540BE3FF (0~999999999)
40043	002A		R/W	Alarm 1, range: 0000000000000000~0000002540BE3FF (0~999999999)
40044	002B		R/W	Alarm 1, range: 0000000000000000~0000002540BE3FF (0~999999999)
40045	002C	ALT	R/W	Total alarm, range: 0000000000000000~0000002540BE3FF (0~999999999)
40046	002D		R/W	Total alarm, range: 0000000000000000~0000002540BE3FF (0~999999999)
40047	002E		R/W	Total alarm, range: 0000000000000000~0000002540BE3FF (0~999999999)
40048	002F		R/W	Total alarm, range: 0000000000000000~0000002540BE3FF (0~999999999)
40057	0038	TOTAL	R	Total display, range: 0000000000000000~0000002540BE3FF (0~999999999)
40058	0039		R	Total display, range: 0000000000000000~0000002540BE3FF (0~999999999)
40059	003A		R	Total display, range: 0000000000000000~0000002540BE3FF (0~999999999)
40060	003B		R	Total display, range: 0000000000000000~0000002540BE3FF (0~999999999)
40061	003C	MAX.D	R	Max. displacement display, range: 00000000~0001869F (0~99999) Hi Bit
40062	003D		R	Max. displacement display, range: 00000000~0001869F (0~99999) Low Bit
40063	003E	DEMAND	R	Displacement display, range: 00000000~0001869F (0~99999) Hi Bit
40064	003F		R	Displacement display, range: 00000000~0001869F (0~99999) Low Bit
40065	0040	RATE	R	Rate display, range: 00000000~0001869F (0~99999) Hi Bit
40066	0041		R	Rate display, range: 00000000~0001869F (0~99999) Low Bit
40067	0042	RATE	R	Rate display, range: 00000000~0001869F (0~99999) Hi Bit
40068	0043		R	Rate display, range: 00000000~0001869F (0~99999) Low Bit
40069	0044	BATCH	R	Batch display, range: 00000000~0001869F (0~99999) Hi Bit
40070	0045		R	Batch display, range: 00000000~0001869F (0~99999) Low Bit
40057	0038	TOTAL	R	Total display, range: 0000000000000000~0000002540BE3FF (0~999999999)
40058	0039		R	Total display, range: 0000000000000000~0000002540BE3FF (0~999999999)
40059	003A		R	Total display, range: 0000000000000000~0000002540BE3FF (0~999999999)
40060	003B		R	Total display, range: 0000000000000000~0000002540BE3FF (0~999999999)