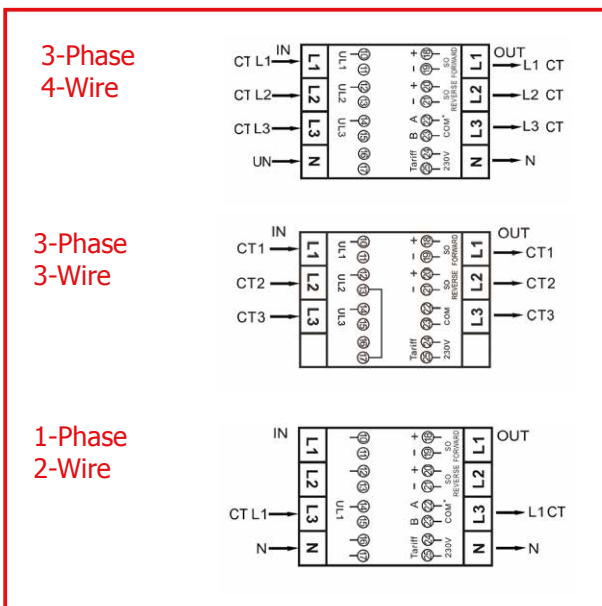
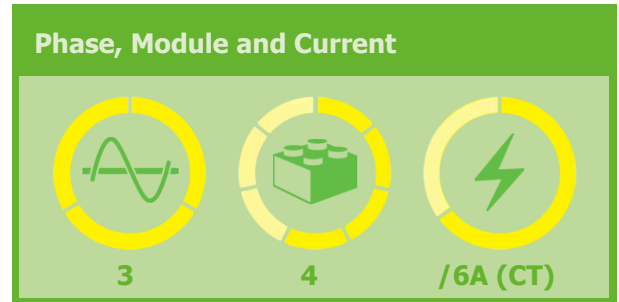


PRO380 CT - MID - Modbus/M-bus

The PRO380 CT series is a range of 4 module, three phase CT smart Energy Meters consisting of 3 different types each with their specific characteristics. They have an exceptional combination of a high accuracy class (1/B) and a broad temperature range of -25°C - +45°C.

The PRO380 series is available as a standard version (with a selectable S0 output) and also as a Modbus or M-bus version. It can communicate and be programmed via an infra-red input. The different communication modes have over 60 variables like kWh, active and reactive energy, forward and reverse energy as well as Cos phi.

The PRO380 smart energy meter is equipped with a resettable day counter and the total energy usage can be calculated via 5 different modes. You can program the CT ratio at your convenience.



* No communication on the PRO380-S CT



“Suitable for industrial applications and complex analytics”

Specifications

PRO380 CT

Technical specifications

■	Height with protection cover	: 140mm
■	Height without protection cover	: 92,4mm
■	Width	: 70mm
■	Depth	: 63mm
■	Mounting	: DIN rail
■	Active energy	: ±1%
■	Starting current	: 0,05I _b
■	Impulse SO duration	: T-on: 45ms T-off: 270ms T-t: 140us
■	Operating humidity	: ≤75%
■	Storage humidity	: ≤95%
■	Operating temperature	: -25° ~ +55°C
■	Storage temperature	: -30° ~ +70°C
■	Nominal Voltage (Un)	: 230/400V AC
■	Operational Voltage	: 100/173V ~ 270/468V
■	AC Voltage withstand for 1 min	: 4KV
■	Impulse voltage 1.2uS Waveform	: 6KV
■	Basic current (I _b)	: 1.5A
■	Max current (I _{max})	: 6A
■	Operational current range	: 0,4%I _b ~I _{max}
■	Over current withstand	: 30I _{max} for 0.01s
■	Operational frequency range	: 45-60Hz
■	Int. power consumption	: ≤2W/Phase - ≤10VA/Phase
■	Basic error	: standard
■	International standard / protocol	: EN50470-3
■	IP protection	: 51
■	Protective class	: II
■	Calculation of total energy	: Forward, Forward+Reverse, Forward-Reverse, Reverse-Forward, Reverse
■	Warranty	: 60 months - Year 1-2 100%, Year 3 75%, Year 4 50%, Year 5 25%

Different models

Article number	MID	Phase	Mod.	Cur.	Com.	Display	Digits	Con. mode	SO	Back-light	Acc. Class	Tarriff	SO pulse output
0258 PRO380-S	Yes	3	4	/6A	x	LCD	Var. ²	CT	2	yes	B	x	Selectable ¹
0259 PRO380-Mb	Yes	3	4	/6A	M-bus	LCD	Var. ²	CT	2	yes	B	2	Selectable ¹
0260 PRO380-Mod	Yes	3	4	/6A	Modbus	LCD	Var. ²	CT	2	yes	B	2	Selectable ¹
0272 PRO380-S	x	3	4	/6A	x	LCD	Var. ²	CT	2	yes	B	x	Selectable ¹
0273 PRO380-Mb	x	3	4	/6A	M-bus	LCD	Var. ²	CT	2	yes	B	2	Selectable ¹
0274 PRO380-Mod	x	3	4	/6A	Modbus	LCD	Var. ²	CT	2	yes	B	2	Selectable ¹

¹ selectable options: 10.000-1.000-100-10-1-0.1-0.01

² variable; depending on the CT-ratio: 5+3 / 6+2 / 7+1 / 8+0