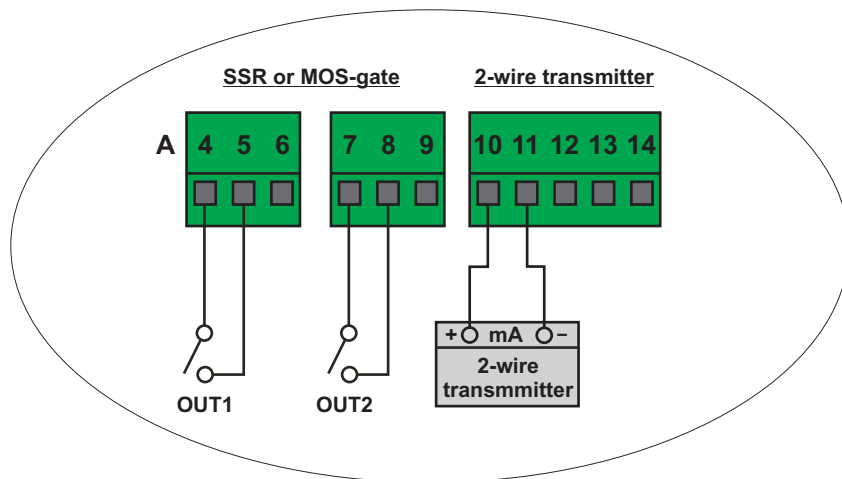
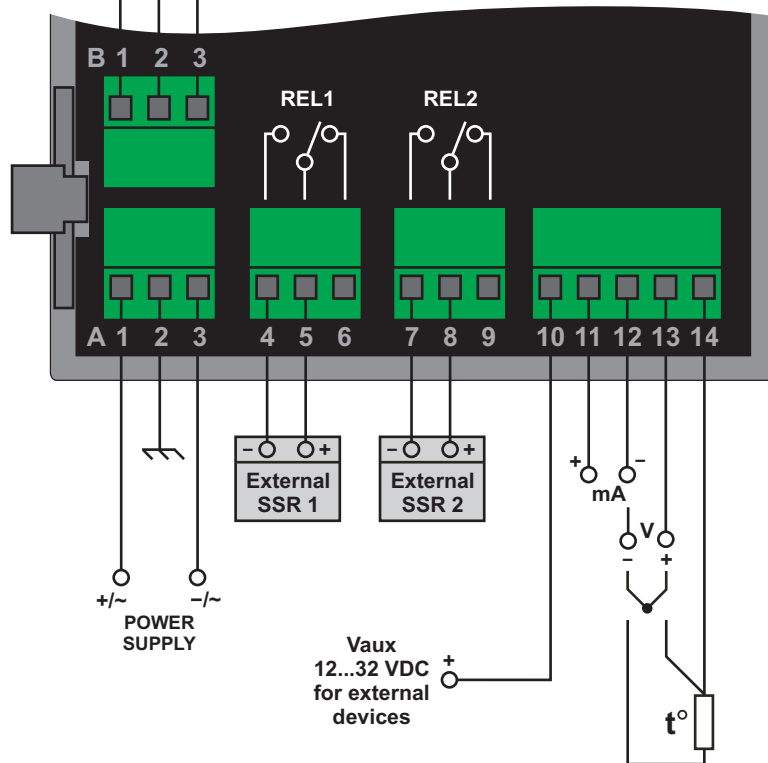
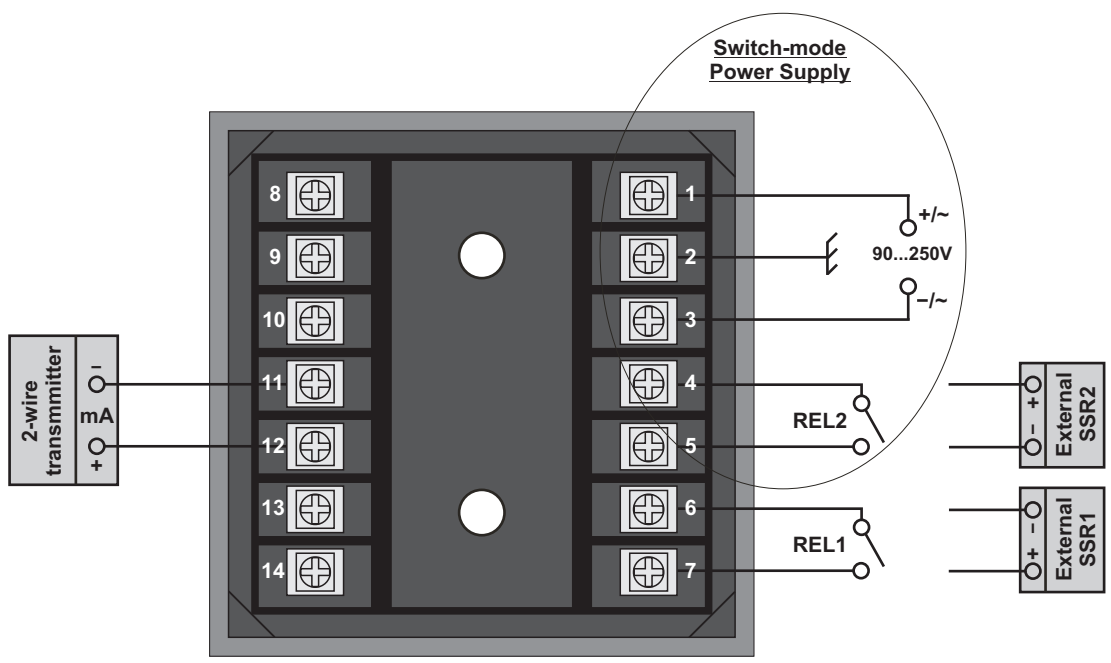
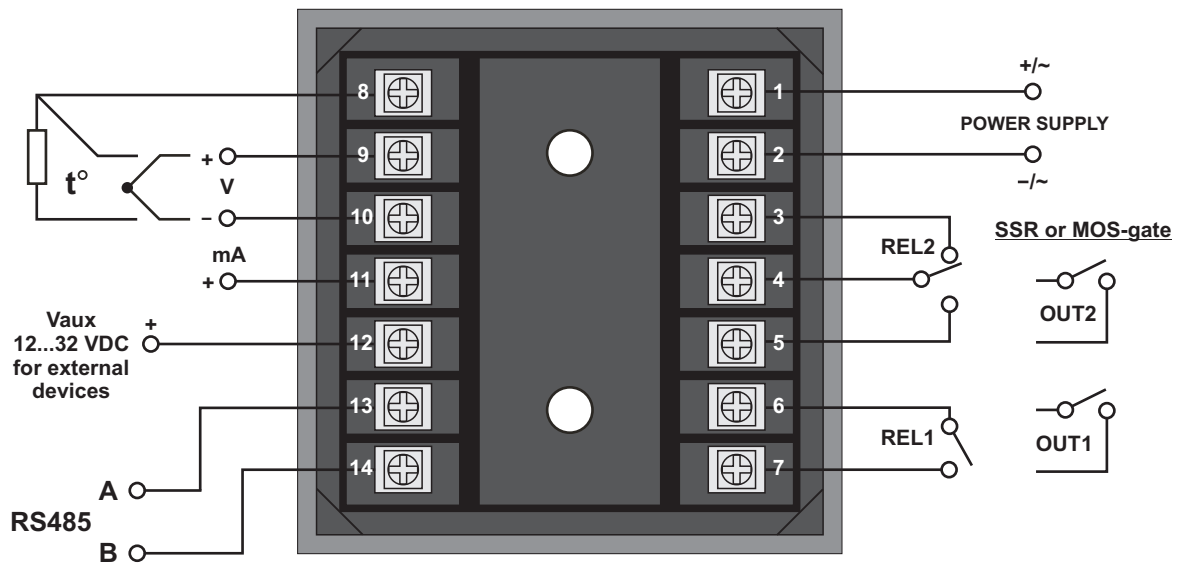


TITLE: RT28(4)U-H(V) Wiring		Project File: rt28(4)u_wire.cdr	
COMECO INC. www.comeco.org	Designed:	sign	02/2011
	Checked:	sign	
	Approved:	sign	
PRODUCT: RT28(4)U-H(V)	CODE: rt28(4)uhv-wire		REV: v1/11
DOCUMENT: RT28(4)UH(V)_wire_01/11			Sheet 1 of 1

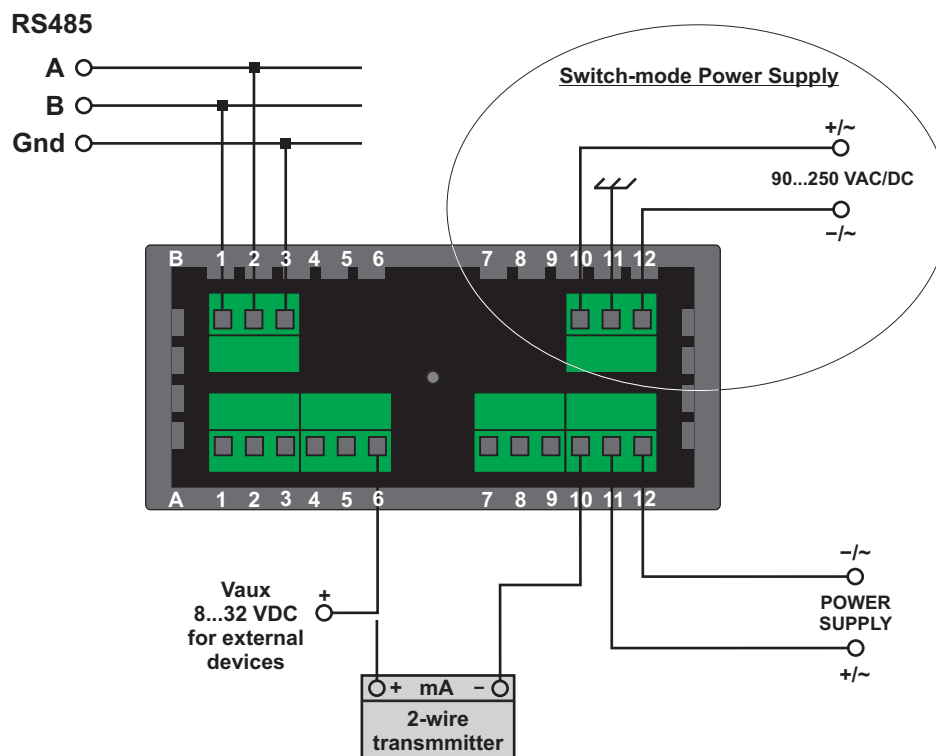
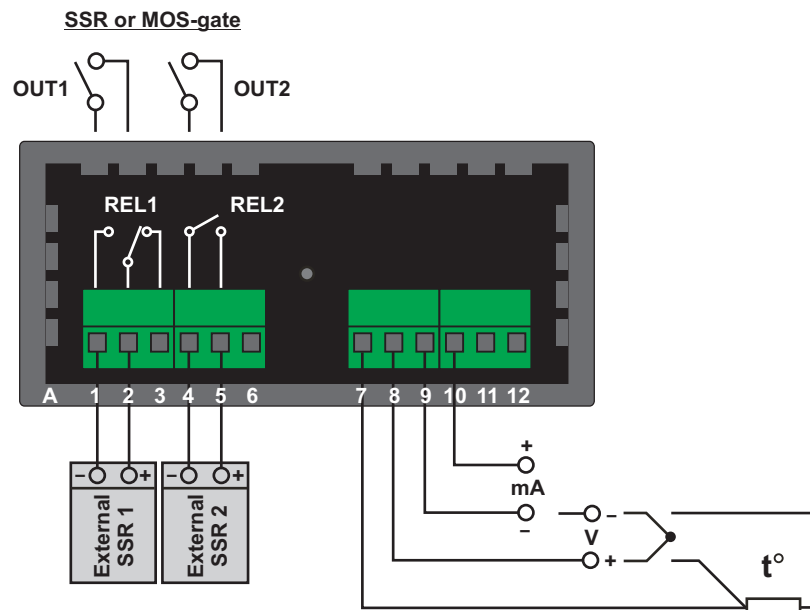
RS485



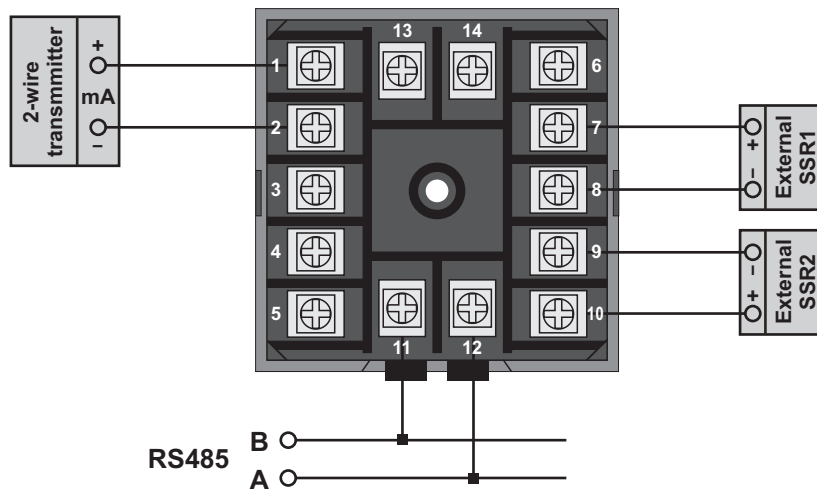
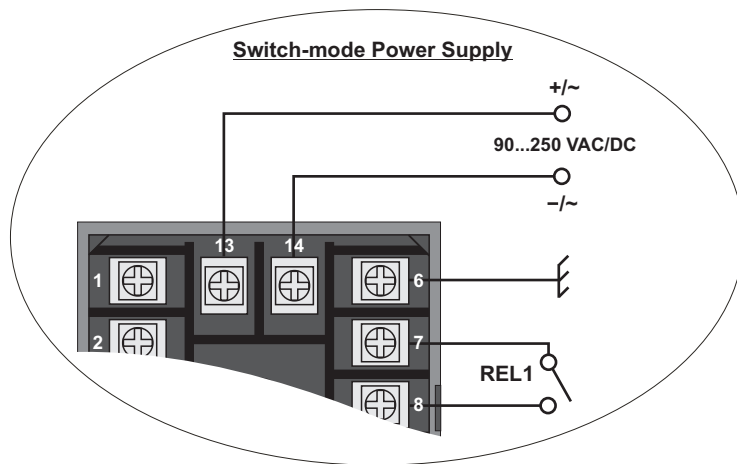
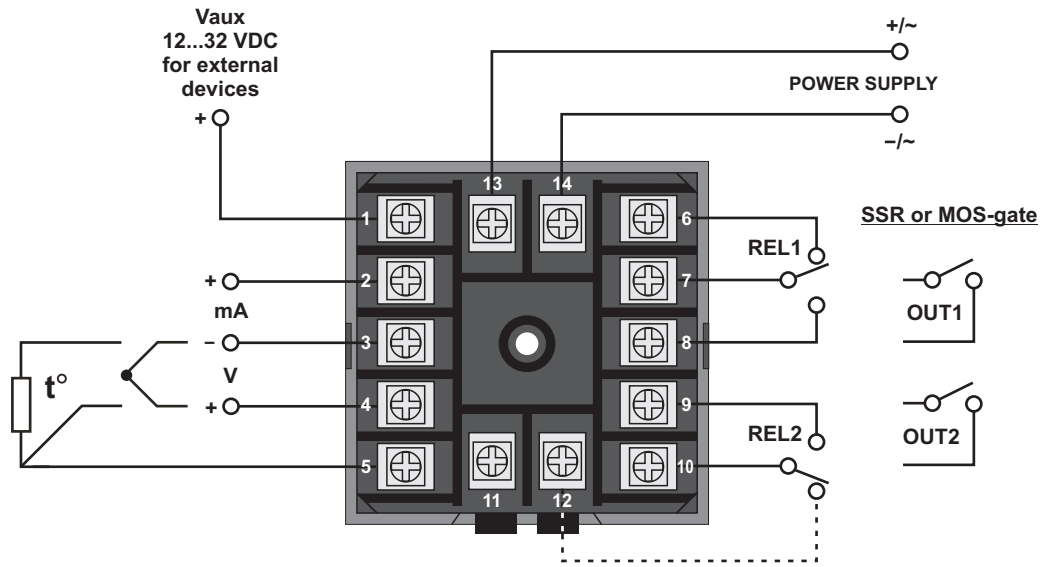
TITLE: RT28(4)U-B Wiring		Project File: rt28(4)u_wire.cdr	
COMECO INC. www.comeco.org	Designed:	sign	02/2011
	Checked:	sign	
	Approved:	sign	
PRODUCT: RT28(4)U-B	CODE: rt28(4)ub-wire		REV: v1/11
DOCUMENT: RT28(4)UB_wire_01/11			Sheet 1 of 1



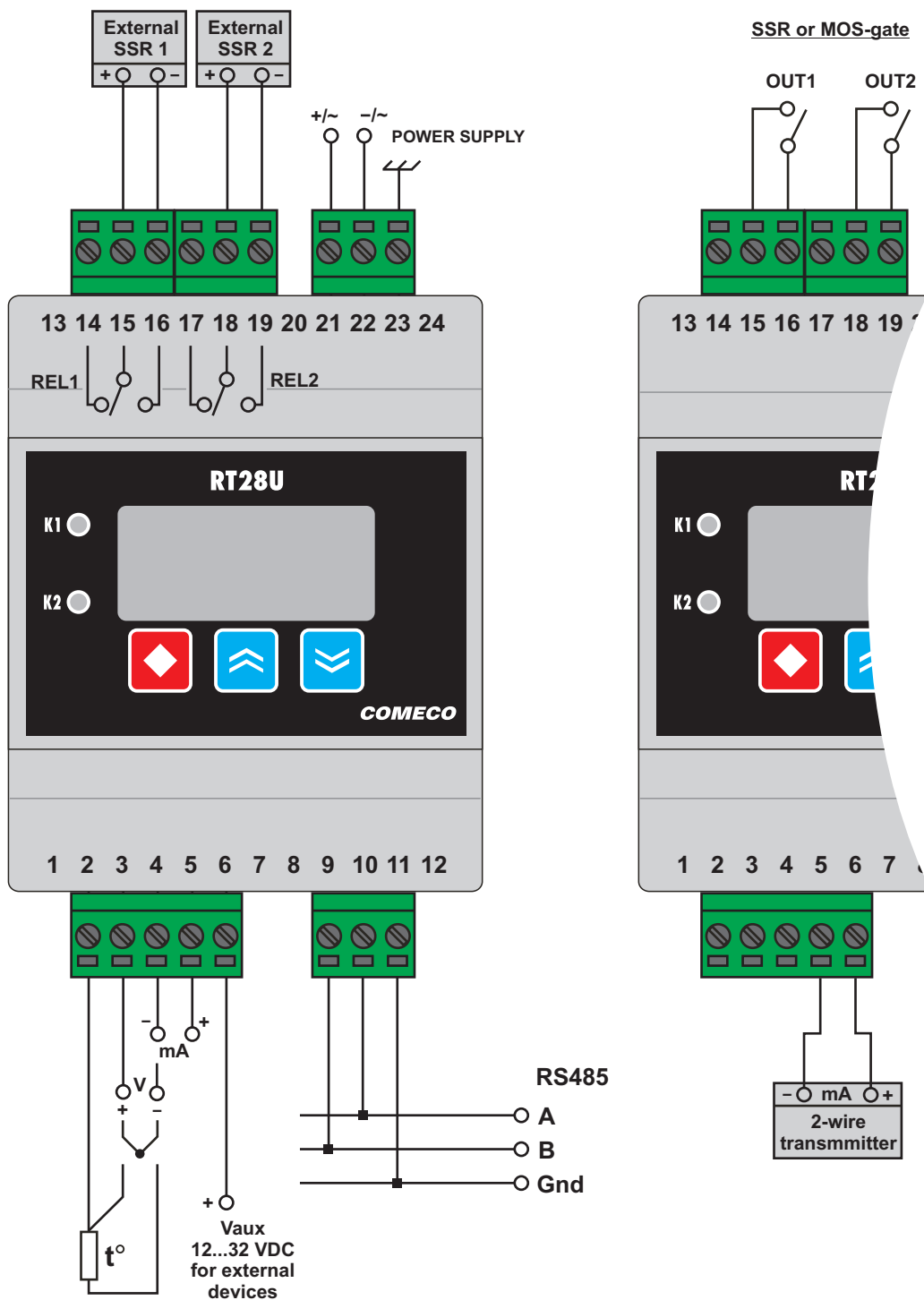
TITLE: RT28(4)U-Q Wiring		Project File: rt28(4)q_wire.cdr	
COMECO INC. www.comeco.org	Designed:	sign	02/2011
	Checked:	sign	
	Approved:	sign	
PRODUCT: Rt28(4)U-Q		CODE: rt28(4)uq-wire	
DOCUMENT: Rt28(4)UQ_wire_01/11		REV: v1/11	
		Sheet 1 of 1	



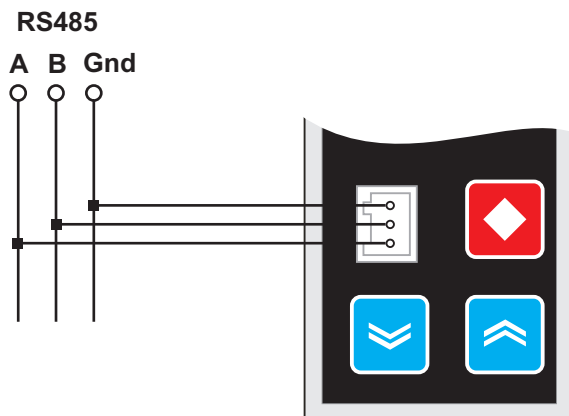
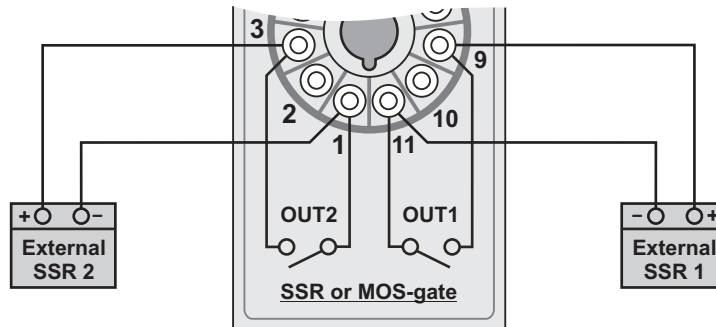
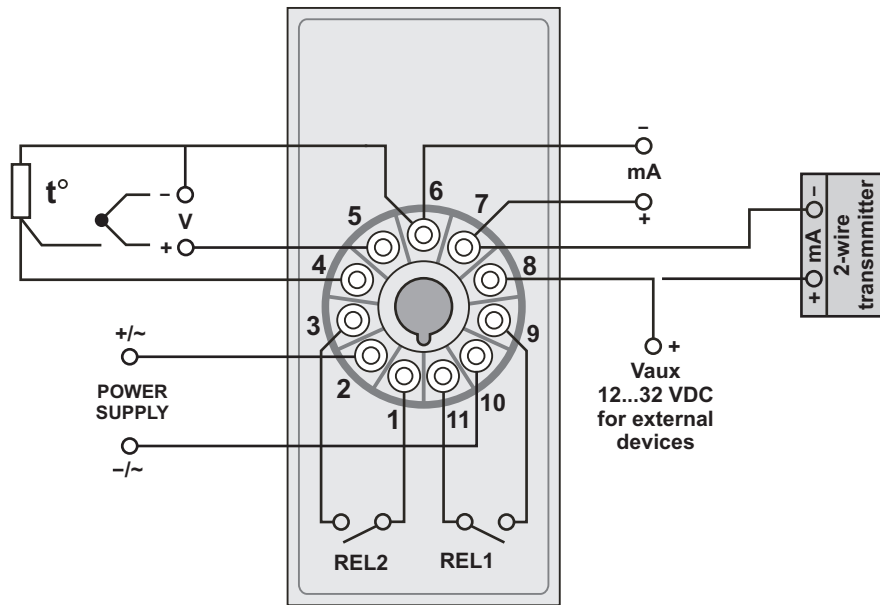
TITLE: Rt28(4)U-L Wiring			Project File: rt28(4)u_wire.cdr	
COMECO INC. www.comeco.org	Designed:	sign		02/2011
	Checked:	sign		
	Approved:	sign		
PRODUCT: Rt28(4)U-L		CODE: rt28(4)ul-wire		REV: v1/11
DOCUMENT: Rt28(4)UL_wire_01/11				Sheet 1 of 1



TITLE: RT28(4)U-S Wiring		Project File: rt28(4)u_wire.cdr	
COMECO INC. www.comeco.org	Designed:	sign	04/2011
	Checked:	sign	
	Approved:	sign	
PRODUCT: Rt28(4)U-S	CODE: rt28(4)us-wire		REV: v2/11
DOCUMENT: Rt28(4)US_wire_02/11			Sheet 1 of 1



TITLE: RT28(4)-R1 Wiring		Project File: rt28(4)_wire.cdr	
COMECO INC. www.comeco.org	Designed:	sign	02/2011
	Checked:	sign	
	Approved:	sign	
PRODUCT: RT28(4)-R1	CODE: rt28(4)r1-wire		REV: v1/11
DOCUMENT: RT28(4)R1_wire_01/11			Sheet 1 of 1



TITLE: RT28(4)-R2 Wiring		Project File: rt28(4)_wire.cdr	
COMECO INC. www.comeco.org	Designed:	sign	02/2011
	Checked:	sign	
	Approved:	sign	
PRODUCT: RT28(4)-R2	CODE: rt28(4)r2-wire		REV: v1/11
DOCUMENT: RT28(4)R2_wire_01/11			Sheet 1 of 1