



# TYS Solid State Relay (SSR) Manual

### Warning

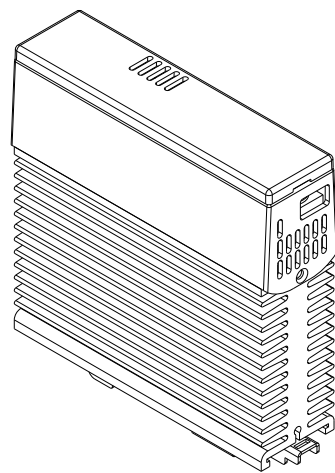


Caution



Dangerous

- Please follow IEC standard to prevent hazard and damage to human and equipment
- To prevent electrical shock, please make sure that power is turned off before replacing the fuse
- Please do not use over current rating. If power system is unstable, please reserved sufficient current rating for safety
- Please tight terminal screws to prevent components from being burned due to the surge or contacts overheat
- The internal parts of the device are components with high voltage and high temperature. Do not touch any terminal to prevent hazard if it is electrified



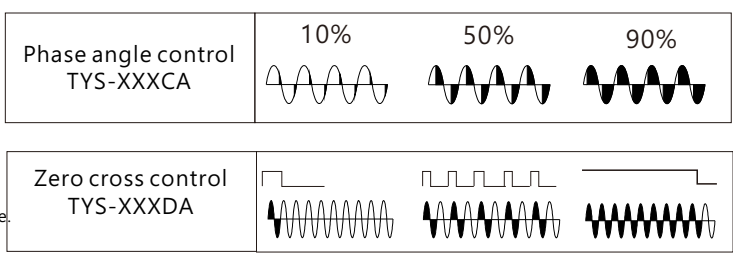
## Model Number **TYS- 2 25 DA**

Voltage	Current	Control signal
2:220V	25:25A	DA: Voltage Pulse
4:440V (380V)	40:40A	CA: 4~20mA

### Specification

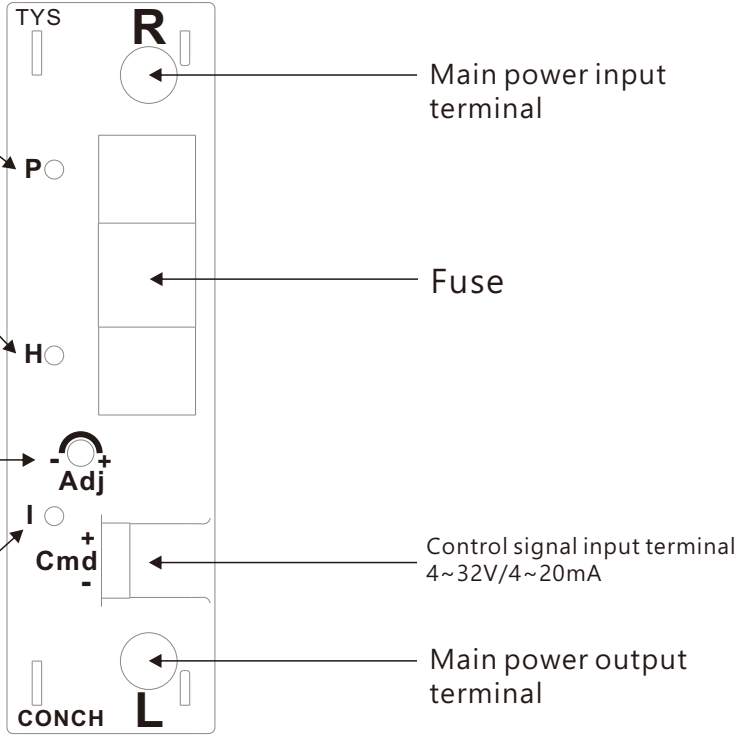
Mains Power	220/440V±15% ,48~63HZ
Ampacity	25A,40A
Control signal Cmd	4~32VDC(TYS-xxxDA)/4~20mA(TYS-xxxCA)
Power output mode	xxxCA: phase angle control /xxxDA: zero cross control
Installation	DIN35mm fast installation
Cooling method	Install external fan on demand
Overheat protection	Overheat protection over 75 degree Celsius. Resume below 60 degree
Fuse	25A/40A, (cylinder 10ΦX38mm)
Ambient Temp/humidity	-10~+50°C/under 90%RH
Overvoltage protection	AC2000V/1 minutes (Power, control terminal and heat sink)
Noise resistance	2KV 5KHZ
Insulation resistance	20MΩ以上/500V(Power, control terminal and heat sink)
Case materials	Polycarbonate

### Phase-Angle/Zero -Cross control output wave

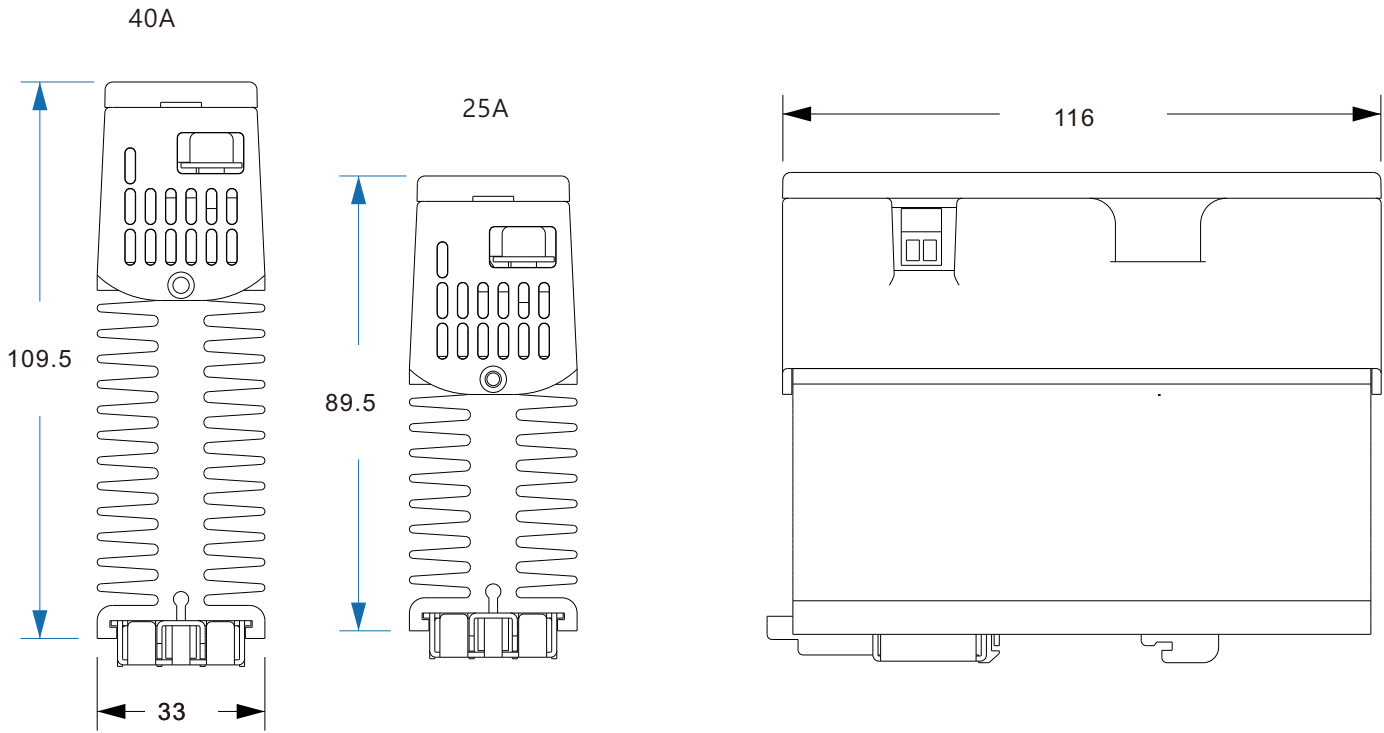


### Panel Description

- Main power indicator (red)**  
Indicator brightness follow by output. The larger the output, the darker the indicator. Indicator off when main power off or fuse broken.
- Heat sink overheat indicator(yellow)**  
Cut control signal when heat sink temperature over 75 degree Celsius. Resume below 60 degree Celsius.
- Adj output adjustment (TYS-xxxCA model)**  
1. If power frequency is 50Hz, please rotate to maximum to avoid output before input smaller than 4mA. (If 60Hz, then only output when input signal is larger than 5mA)  
2. Please note that adjust minimum output will also affect maximum output. (Input signal minuman:12~20mA, output 0~40%(about))
- Control signal indicator (Green)**  
Brightness depend on input signal. Input signal more bigger more brighter.



## ■ Dimension



## Wiring Diagram

