



- PBT plastic housing
- Plug socket optional, easily installation
- Detecting distance: 1~2.5 mm

SPECIFICATION

- ◆ Max. Detecting Distance: 2 mm ± 10%
- ◆ Stable Detecting Distance: 0~1.5 mm
- ◆ Standard Detecting Object: Iron 12 x 12 x 1t
- ◆ Hysteresis: 15% of operating distance
- ◆ Repetitive Accuracy: ± 10%
- ◆ Circuit Protection: Polarity circuit protection
- ◆ Power Supply: DC 10~30V
- ◆ Load Current: 15 mA
- ◆ Response Frequency: 1000 Hz
- ◆ Operating Indicator: Red LED

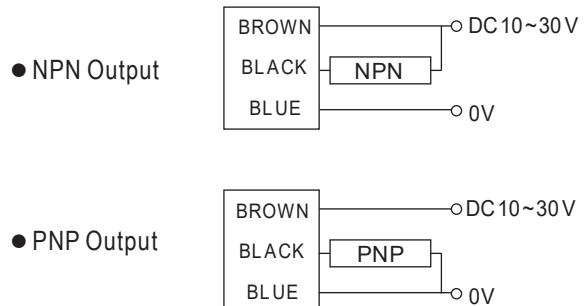
- ◆ IP Protection: IP67
- ◆ Vibration Resistance: 10~55Hz, 1.5mm X,Y,Z for 2 hours
- ◆ Shock Resistance: 500m/s (50g), X,Y,Z for 3 times
- ◆ Operating Temperature: -25~70°C
- ◆ Operating Humidity: 35~80% RH (non-condensing)
- ◆ Storage Temperature: -30~80°C
- ◆ Storage Humidity: 35~95% RH (non-condensing)
- ◆ Housing Material: PBT resin
- ◆ Wire Material: PVC cable, 2 M wire length
- ◆ Weight: About 25g

ORDER INFORMATION

DA-0802S [Code 1] - [Code 2]

Code1	Output Type	Code2	Wire Type
NO	NPN Normal Open	Empty	2 M Wire
NC	NPN Normal Close	P	Plug Socket
PO	PNP Normal Open	O	Option
PC	PNP Normal Close		

WIRING CONNECTION



DIMENSION

