

SLIM TYPE ANALOG SIGNAL ISOLATED TRANSMITTER

GT

● FEATURES:

Accuracy: $\pm 0.1\%$ R.O (DC / Resistor / Potentiometer /PT-100 /Load Cell)
 $\pm 0.2\%$ R.O (AC)

Dimension small

High stability , non-flammable case(PC) , high safety

● Order Information : GT - code1 code2 - code3 - code4



code1	Input Type	code2	Voltage	code2	Current	code2	Potentiometer	code2	Resistor	code2	RTD(PT-100)	code2	Load cell	code3	Aux Power	code4	Output 1
D	DC	V1	0~50mV	A2	0~200 μ A	P1	500 Ω ~10K Ω	I2	0~100 Ω	T1	-50~50 $^{\circ}$ C	L1	1mV/V EX.5V	A	AC/DC 100-240V	1	4~20mA
A	AC(AVG)	V2	0~5V	A3	0~2mA	P2	10K Ω ~100K Ω	I3	0~1K Ω	T2	0~50 $^{\circ}$ C	L2	2mV/V EX.5V	D	AC/DC 22-60V	4	0~10V
M	AC(Trms)	V3	1~5V	A4	0~20mA	P3	100K Ω ~1M Ω	I4	0~10K Ω	T3	0~100 $^{\circ}$ C	L3	3mV/V EX.5V			L	Loop Power 15-30 V 4-20 mA
P	Potentiometer	V4	0~10V	A6	4~20mA	PO	Option	I5	0~100K Ω	T4	0~200 $^{\circ}$ C	L4	1mV/V EX.10V			0	Option
I	Resistor	V5	0~36V	AO	Option			IO	Option	T5	0~400 $^{\circ}$ C	L5	2mV/V EX.10V				
T	RTD(PT100)	V6	0~300V							T6	0~600 $^{\circ}$ C	L6	3mV/V EX.10V				
L	Load cell	V7	0~600V							TO	Option	LO	Option				
2	2 wire sensor	VO	Option														
3	3 wire sensor																
4	4 wire sensor																

● SPECIFICATION:

Accuracy: $\pm 0.1\%$ R.O(DC/Resistor/RTD PT100 /Load cell)
 $\pm 0.2\%$ R.O (AC)

Zero Adjustment: $\leq \pm 5\%$ R.O

Span Adjustment: $\leq \pm 10\%$ R.O

Output Response Time: ≤ 250 ms (0~90%)

Output Capability: Voltage Output: ≤ 20 mA
 Current Output: ≤ 10 V

Temperature Coefficient: 100ppm/ $^{\circ}$ C (0~60 $^{\circ}$ C)

Operating Environment: 0~60 $^{\circ}$ C; 20~90% RH (non-condensing)

Storage Environment: -10~70 $^{\circ}$ C; 20~90% RH (non-condensing)

Power supply: AC/DC 100~240V
 AC/DC 22~60V

Isolation: Input/Output/Power/Case

Surge test: 2kVac / min

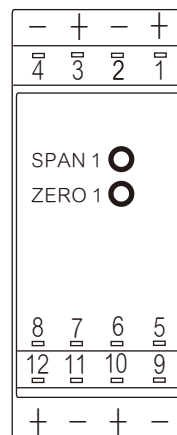
Insulation Resistance: > 100M Ω with 500 Vdc

Input Impedence: Voltage: > 2V for 20K Ω /V
 ≤ 2 V for > 200M Ω
 Current: ≥ 0.2 A at 100mV
 < 0.2A at 1V

Installation: DIN Rail 35mm(EN50022)

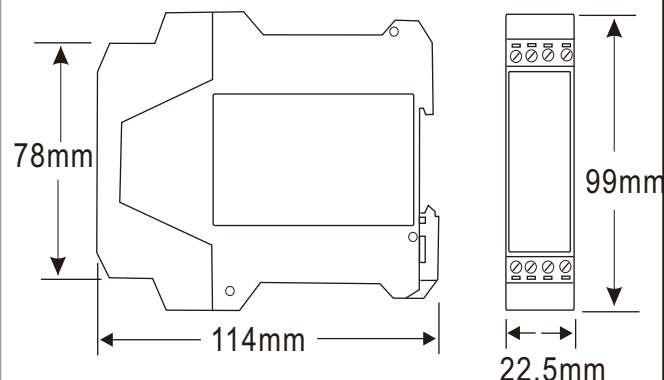
Weight: 165g(Including packaging)

● CALIBRATION:



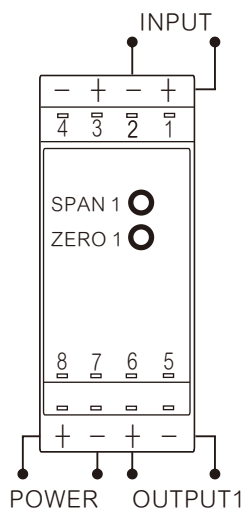
- ◆ Steps:
1. Input the zero value and adjust the ZERO VR to the zero point.
 2. Input the span value and adjust the SPAN VR to the span point.

● DIMENSION:

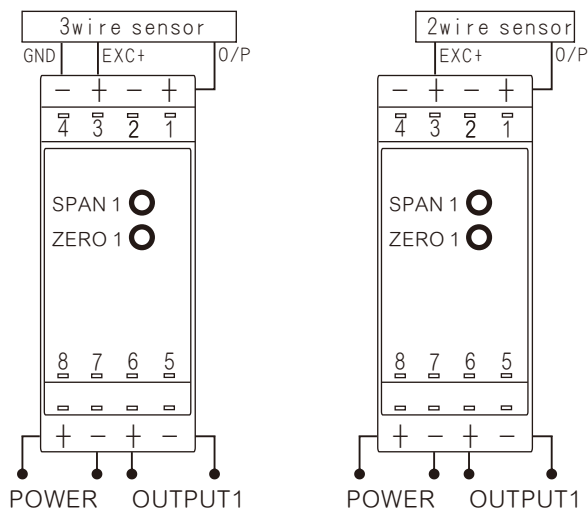


● WIRING CONNECTION :

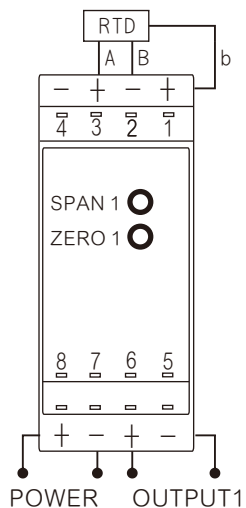
● Voltage, Current



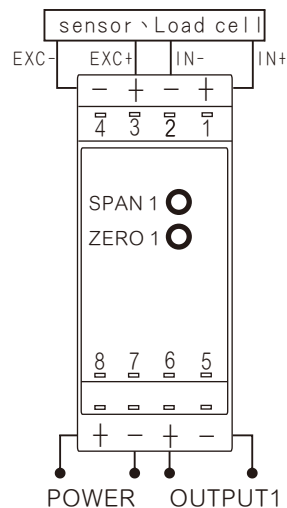
● 2, 3 wire sensor



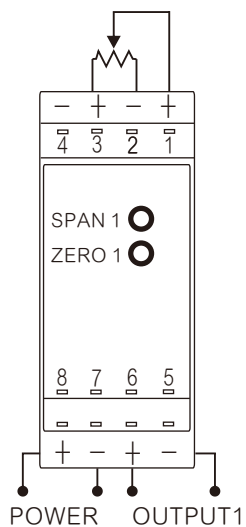
● Temperature (PT-100)



● 4 wire sensor \ Load cell



● 3 wire Potentiometer



● Resistor

