

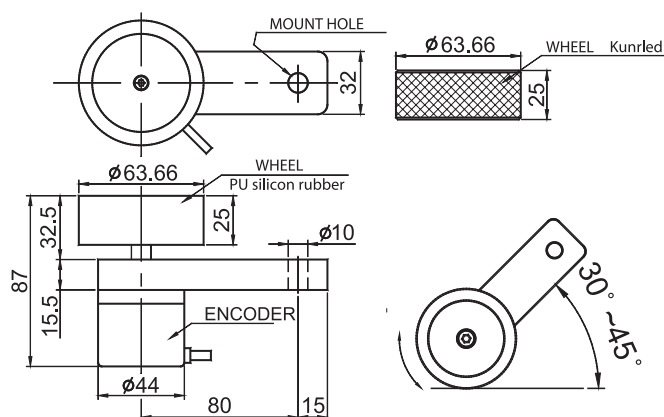
- Wheel material: PU silicon rubber
- Pulse per resolution for 10, 5, 2, 1, 0.5, 0.2, 0.1 mm
- CE approval



SPECIFICATION

- ◆ Detection System: Incremental
- ◆ Output Wave: Square wave
- ◆ Output Phase: A phase or AB phase
- ◆ Output Capacity: 20 mA
- ◆ Temperature Coefficient: 100ppm / °C (0~60°C)
- ◆ Operating Temperature: 0~60°C
- ◆ Operating Humidity: 20~90% RH (non-condensing)
- ◆ Storage Temperature: -10~70°C
- ◆ Storage Humidity: 20~90% RH (non-condensing)
- ◆ Power Supply: DC 8~26V, DC 5V
- ◆ Current Consumption: <60mA
- ◆ Waveform Rise/Fall: 2 usec
- ◆ Max. Frequency: 10KHz~100KHz
- ◆ Wheel Type: PU silicon rubber
- ◆ Shaft Loading: Axial: 0.5Kgs; Radial: 1Kgs
- ◆ Starting Torque: 30 gf-cm (at 25°)
- ◆ Max. Speed: 8 M/sec
- ◆ Vibration: 10g (10 ± 1500Hz)
- ◆ Polarity: Against reverse protection (not with 5V)
- ◆ Shock: 20g/11msec
- ◆ Cable Length: 50 cm
- ◆ Weight: About 500 g

DIMENSION



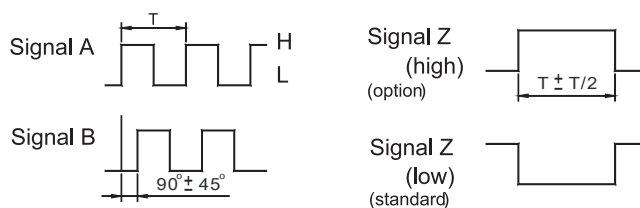
ORDER INFORMATION

HTR-MWB - [Code 1] - [Code 2] - [Code 3] - [Code 4]

Code1	Pulse per Resolution	Code2	Output Phase
10, 5, 2, 1, 0.5, 0.2, 0.1 mm	/ pulse	1	A Phase
		2	AB Phase

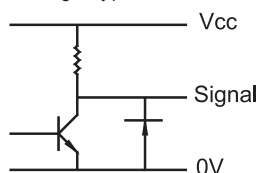
Code3	Output Waveform	Code4	Aux. Power
Empty	Voltage	Empty	DC 8~26V
C	Open Collector	5V	DC 5V
P	Push-Pull		
L	Line-Driver 5Vdc		
HL	Line-Driver 8~26Vdc		

OUTPUT WAVEFORM

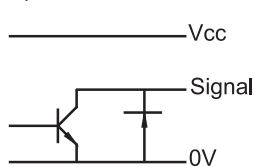


WIRING CONNECTION

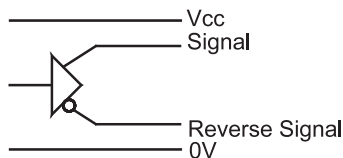
● Voltage Type:



● Open-Collector:



● Line Driver:



● Push-Pull:

