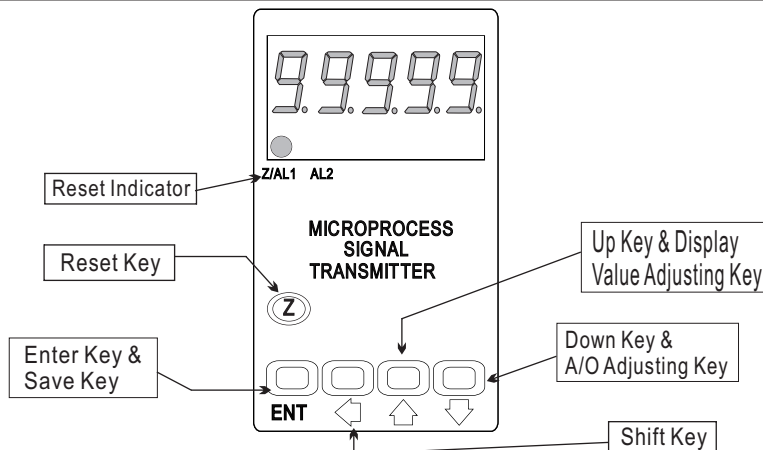


* Please understand key indicators & functions at the first operation.

FRONT PANEL & KEY FUNCTIONS



Key Name	Symbol	Descriptions
Reset Key		1. Press this key to enable the reset function & reset indicator (Z) is light; press this key again to disable the reset function & reset indicator (Z) is dark.
Enter Key & Save Key	ENT	1. In the measuring status, press this key can enter to parameter pages. 2. In the parameter setting, press this key can save the value & go to next parameter.
Shift Key		1. In the parameter setting, press this key can move the cursor left.
Up Key & Display Value Adjusting Key		1. In the measuring status, press this key for 3 sec can enter to display adjustment of "ZERO" & "SPAN" 2. In the parameter setting, press this key can increase the digits.
Down Key & A/O Adjusting Key		1. In the measuring status, press this key for 3 sec can enter to analog output adjustment. 2. In the parameter setting, press this key can decrease the digits.

- **1. The following block charts are parameters codes, parameter codes & parameters will alternate flashing if the parameters can be modified.
- 2. To modify the parameters, please press , and press **ENT** to save the parameters after the modification.
- 3. Please don't forget the new pass code after modification.
- 4. In any pages, press & , or don't press any keys for 2 minutes that will back to measuring status.

GENERAL MODE OPERATING PROCEDURES

Block Charts	Display	Descriptions	Default
Power On		Display: "ZERO" & "SPAN" Adjustment	
	Measuring Status	Present value for measurement.	
	Display (dZEro) Adjustment (dZEro)	Press to select adjusting speed rate, press to modify the zero value. PS: To use this function to adjust the real zero value.	00000
	Display Span Adjustment (dSPAN)	Press to select adjusting speed rate, press to modify the span value. PS: To use this function to adjust the real span value.	00000
		Analog Output: "ZERO" & "SPAN" Adjustment	
	Measuring Status	Present value for measurement.	
	A/O Zero Adjustment (AZEro)	Press to select adjusting speed rate, press to modify the A/O zero. PS: To use this function to adjust the real A/O zero.	00000
	A/O Span Adjustment (ASPAN)	Press to select adjusting speed rate, press to modify the A/O span. PS: To use this function to adjust the real A/O span.	00000

	Display Value: Preview Input A & Input B	
	Measuring Status	Present value for measurement.
	Preview Input A Display Value (A CH.)	Press \leftarrow \rightarrow to show the current input A display value.
Preview Input B Display Value (B CH.)	Press \leftarrow \rightarrow to show the current input B display value.	Input B Display Value

PROGRAMMING MODE OPERATING PROCEDURES

Block Charts	Display	Descriptions	Default
	Measuring Status	Present value for measurement.	
	Pass Code (P.Cod)	Press \leftarrow \rightarrow to enter pass code.	00000
		Pass code is correct that will enter to parameter groups. Pass code is wrong that will back to measuring status.	
	Math Type Setting (tYPE)	Press \leftarrow \rightarrow to select the math type of input A & input B; A (Sqr \sqrt{A}), A (Abs.A), A+B (Add.Ab), A-B (Sub.Ab), AXB (MUL.Ab), A/B (div.Ab), A&BHi (And.Hi), A&BLo (And.Lo).	59rA
	Decimal Point Setting (dP)	Press \leftarrow \rightarrow to select decimal point (0, 1, 2, 3, 4) EX: if the value shows "0.00" that means the decimal point is 2 digits.	00000
	Input A Display Low Scale (AdSPL) Setting	Press \leftarrow \rightarrow to modify display low scale for the input signal zero value. EX: If the input signal is 4~20mA; 4mA is shown display 0.00, this parameter must be set for 000.00.	Customers specify
	Input A Display Hi Scale Setting (AdSPH)	Press \leftarrow \rightarrow to modify display high scale for the input signal span value. EX: If the input signal is 4~20mA; 20mA is shown display 100.00, this parameter must be set for 100.00.	Customers specify
	Input B Display Low Scale Setting (BdSPL)	Press \leftarrow \rightarrow to modify display low scale for the input signal zero value. EX: If the input signal is 4~20mA; 4mA is shown display 0.00, this parameter must be set for 000.00.	Customers specify
	Input B Display Hi Scale Setting (BdSPH)	Press \leftarrow \rightarrow to modify display high scale for the input signal span value. EX: If the input signal is 4~20mA; 20mA is shown display 100.00, this parameter must be set for 100.00.	Customers specify
	Display Average Setting (AvG)	Press \leftarrow \rightarrow to modify display average (1~99). PS: Please use this function for stable display value when input signal is unstable.	00005
	Display Low Cut Setting (LCUt)	Press \leftarrow \rightarrow to modify display low cut to 0 (0~99).	00000
	A/O Polarity Setting (PoLAR)	Press \leftarrow \rightarrow to modify output is positive pole or negative pole. PS: Voltage output, NO: positive pole output (0~+10V) YES: positive & negative pole output (-10~+10V)	no
	A/O Low Scale Setting (AnLo)	Press \leftarrow \rightarrow to adjust A/O low scale to correspond to the display value. EX: A/O is 0~10V, the display is 10.0 to output 0V, this value must be set for 10.0.	00000
	A/O Hi Scale Setting (AnHi)	Press \leftarrow \rightarrow to adjust A/O hi scale to correspond to the display value. EX: A/O is 0~10V, the display is 90.0 to output 10V, this value must be set for 90.0.	99999
Pass Code Setting (CodE)	Press \leftarrow \rightarrow to modify pass code (0~19999). PS: Please don't forget the new pass code after modification.	00000	
Key Lock Setting (LoCK)	Press \leftarrow \rightarrow to lock the keys, using key lock function only can view the parameters, but cannot modify any values. PS: no (unlock), YES ("ENT" unlock, others lock).	no	

Error Code of Self-Diagnosis

Display	Descriptions	Display	Descriptions
10FL	Input signal is over 120% of input range.	doFL	Math operating result is over display range (19999).
-10FL	Input signal is under -20% of input range.	-doFL	Math operating result is under display range (-19999).
AoFL	Input signal A is over display range (19999).	boFL	Input signal B is over display range (19999).
-AoFL	Input signal A is under display range (-19999).	-boFL	Input signal B is under display range (-19999).
AdEr	Input signal is over 180% of input range or meter error.	E-00	EEPROM reading/writing suffers the interference (about 1 million times).

**Please check the wiring connection is correct first, if the problem still exist, please return the meter to the factory.

CALIBRATION OPERATING PROCEDURES

	Display	Descriptions	Default
<pre> graph TD A[10000] -- "Press ENT & ← together for 3 sec" --> B[inLo1] B -- "Press ENT" --> C[inHi1] C -- "Press ENT" --> D[inLo2] D -- "Press ENT" --> E[inHi2] E -- "Press ENT" --> F[595] F -- "Press ↑ & ↓ together for 3 sec" --> A </pre>	Measuring Status	Present value for measurement Press ENT & \leftarrow together for 3 sec will enter to calibration operating procedures.	
	Input Low Scale 1 Calibration (inLo1)	1. Input standard low scale signal to input 1. 2. Press \leftarrow \uparrow \downarrow to calibrate input low scale.	
	Input Hi Scale 1 Calibration (inHi1)	1. Input standard hi scale signal to input 1. 2. Press \leftarrow \uparrow \downarrow to calibrate input hi scale.	
	Input Low Scale 2 Calibration (inLo2)	1. Input standard low scale signal to input 2. 2. Press \leftarrow \uparrow \downarrow to calibrate input low scale.	
	Input Hi Scale 2 Calibration (inHi2)	1. Input standard hi scale signal to input 2. 2. Press \leftarrow \uparrow \downarrow to calibrate input hi scale.	
	System Setting Page (SYS)	1. Finish calibration operating procedures will enter to system setting group. 2. Press \uparrow & \downarrow together to back to measuring status.	

Warning: Calibration of this meter requires a standard signal with 0.01% accuracy or better and an external meter with 0.005% accuracy or better.