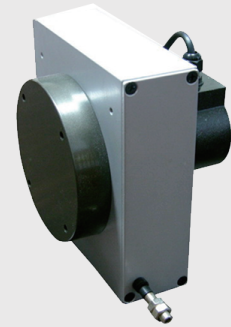


- Output signal: 3 wire type resistance
- Measuring range: 3000mm, 4000mm, 5000mm, 6000mm, 8000mm
- Small size, excellent linear accuracy



SPECIFICATION

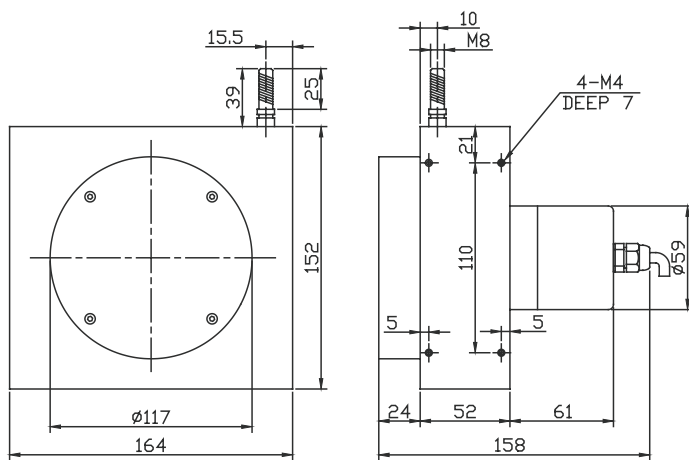
- ◆ Stroke Range: 3000; 4000; 5000; 6000; 8000mm
- ◆ Wire Material: 1mm SUS304 with Nylon coated
- ◆ Resistance: 5KΩ ± 10%
- ◆ Independent Linear: ±0.25%
- ◆ Repeatability Accuracy: ±0.02%
- ◆ Max. Speed: 600 mm/sec
- ◆ Vibration: 10~2000 Hz, 10g
- ◆ Power Supply: AC/DC 30V
- ◆ Power Consumption: 2W
- ◆ Storage Temp.: -40°C ~ 135°C
- ◆ Protection: IP64

ORDER INFORMATION

HPS-L - Code1

Code1	Distance
30	3000 mm
40	4000 mm
50	5000 mm
60	6000 mm
80	8000 mm

DIMENSION



WIRING CONNECTION

