

# R5111/R5113/R5115/R5117 2-channel receiver User manual

## I. Safety Instruction

1. For security, please read instructions carefully before initial operation; making sure that the power is off before connection.
  2. Please clear the memory before initial operation. (Ref: Erasing ALL learned/memorized Transmitters)
  3. Do not learn the remote control when motor is operating in order to avoid mis-operation.
  4. The received signal may be interfered by other communication devices. (e.g. the wireless control system with the same frequency range)
- It is forbidden to control the high-risk coefficient equipment / system. (e.g. cranes)
6. It is used only for the manual remote control and wireless control equipment / system which must not endanger life or property during running failure, or its security risks have been eliminated
  7. It should be applied in dry indoor place or in the electric appliance place.
  8. If connected wire is too long , the receiver may work unstable

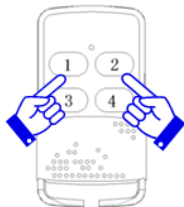
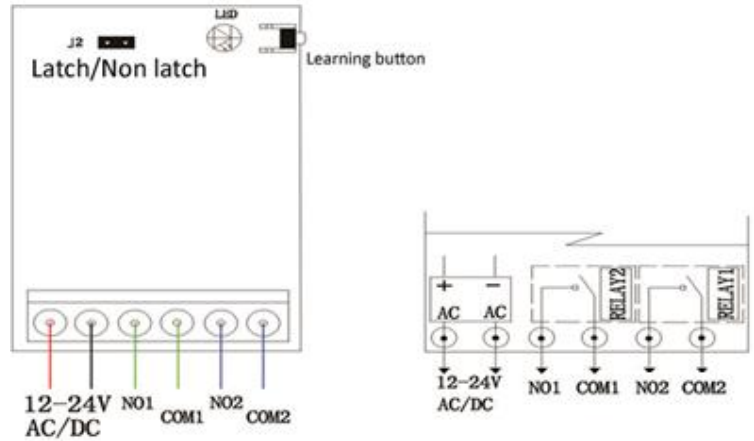
## II. Technical parameters

1. Working voltage: 12-24VAC/DC
2. Temperature range: -20°C to 60°C
3. Working frequency: 433.92MHz
4. Stored transmitters: Rolling code 30-300PCS; fixed code 60-600PCS
5. Relay contact load capacity: 1A, 30V DC

## III. Connection Instruction

## IV. Set up and working process

- 4.1 Learning transmitter: Press the learning button of the receiver, then LED is red. Press any one of the transmitter twice times, LED flickers and continues on several seconds, then off. It is indicated the learning is successful.
- 4.2 Deleting transmitter: Press the learning button for a long time, the indicating lamp is red for 8 seconds, and then off, release the learning button, LED is red for 2 seconds and then off; complete the deleting transmitter.
- 4.3 Latch and non-latch: It is non-latch when short circuit cap disconnect, It is latch when short circuit cap connect.
- 4.4 Self-learning function: Use the transmitter that already has been learned as old transmitter, press button 1 and button 2 at the same time and then press button 2 to let the receiver enters into the learning process. In this way , new transmitter can be learned refer 4.1 without press the learning button S1 on the receiver.
- 4.5 Remote control: The remote that finish the learning process can control the receiver with pressing the button .



Old one

STEP 1:  
Use the trasmitter that already has been learned as old transmitter, press button 1 and button 2 at the same time



Old one

STEP2:  
then press button 2 to let LED turns into red. New transmitter can be learned.

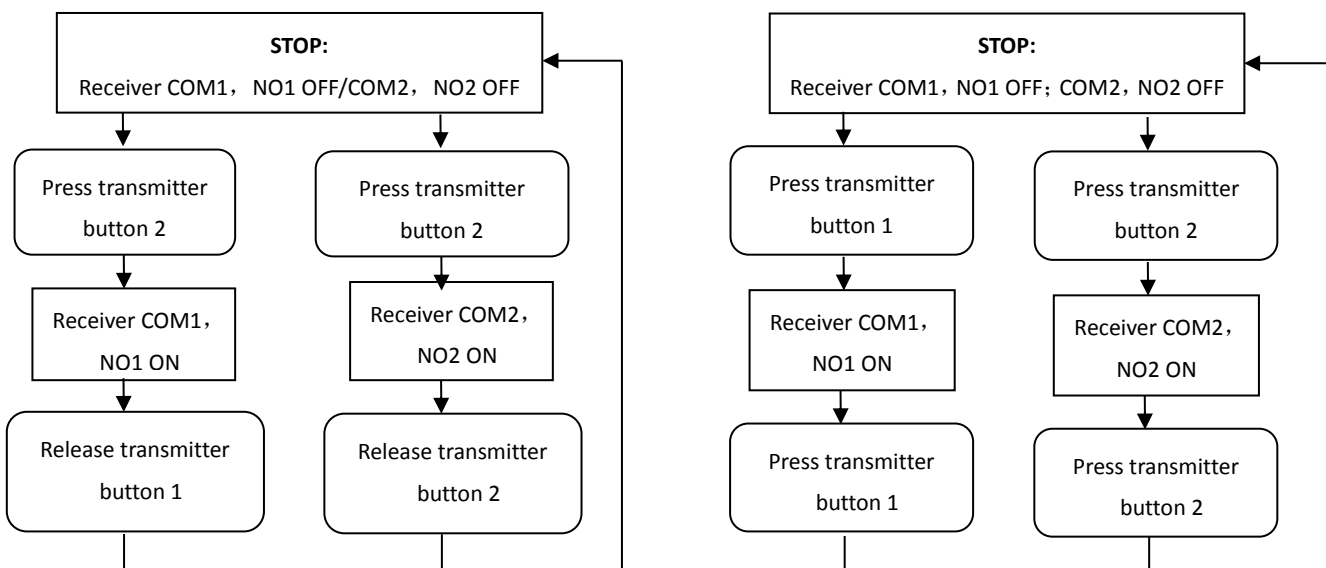


New one

STEP3:  
Press the same button on the new transmitter twice. The learning process done. In this way , new transmitter can be learned without pressing the learning button on the control board.

4.5.1 Non-latch: J2 at OFF

4.5.2 Latch: J2 at ON



## V. Model list

Model (12-24VAC DC)	R5111	R5113	R5115	R5117
Frequency	433.92Mhz			
Code	Rolling code		Fixed code	
Transmitter stored	30	300	60	600