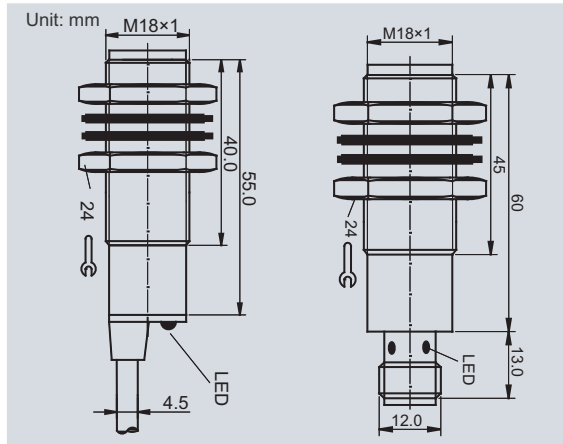


Dimension

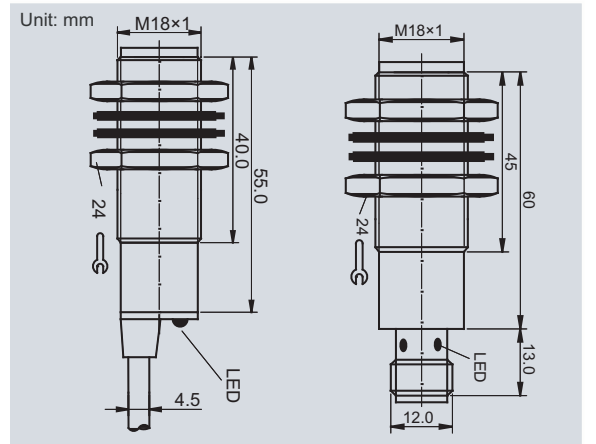
Type



**M18×1
Diffused Type**



**M18×1
Retro-Reflective Type**



Mounting distance Sn		Cable Type	Connector Type	Cable Type	Connector Type
Output type Code		1.8~2M	1.8~2M	5.5-6M	5.5-6M
PNP	DC 3 wires NO	PES-D18	PESI-D18	PES-R18	PESI-R18
	DC 3 wires NC	-PO2MD	-PO2MD	-PO6MD	-PO6MD
	DC 4 wires NO+NC	-PC2MD	-PC2MD	-PC6MD	-PC6MD
NPN	DC 3 wires NO	-POC2MD	-POC2MD	-POC6MD	-POC6MD
	DC 3 wires NC	-NO2MD	-NO2MD	-NO6MD	-NO6MD
	DC 4 wires NO+NC	-NC2MD	-NC2MD	-NC6MD	-NC6MD
		-NOC2MD	-NOC2MD	-NOC6MD	-NOC6MD

Rated operational voltage(DC/AC)	10...30 V DC	10...30 V DC
Voltage drop	≤ 1.5 V	≤ 1.5 V
Rated insulation voltage	≥20MΩ	≥20MΩ
Load current capacity(DC/AC)	200mA	DC: 200mA
Max.Off-state current (NPN/PNP)	≤ 20 mA	≤ 20 mA
Leak current	≤ 20 μA	≤ 20 μA
Against polarity reversal	YES	YES
Response time	Diffused: <3ms	Retro-reflective: <3ms
Working angle (T/R)	< 3~20°	< 3~20° / < 1~5°
Difference distance	< 15%	< 15%
Function indication	Red LED Indicator	Red LED Indicator
Detect mode	Infrared LED	Infrared LED
Ambient light	Incandescence lamp: ≤3000Lx / Sun light ≤ 10000Lx	Incandescence lamp: ≤3000Lx / Sun light ≤ 10000Lx
IP rating (IEC60529)	IP67	IP67
Housing material	Nickle plated brass	Nickle plated brass
Connection mode	Wires	Wires / Connector
Cable length (standard)	2m	2m
Ambient temperature	-15...+65 °C	-15...+65 °C

ELECTRICAL WIRING CONNECTIONS:

