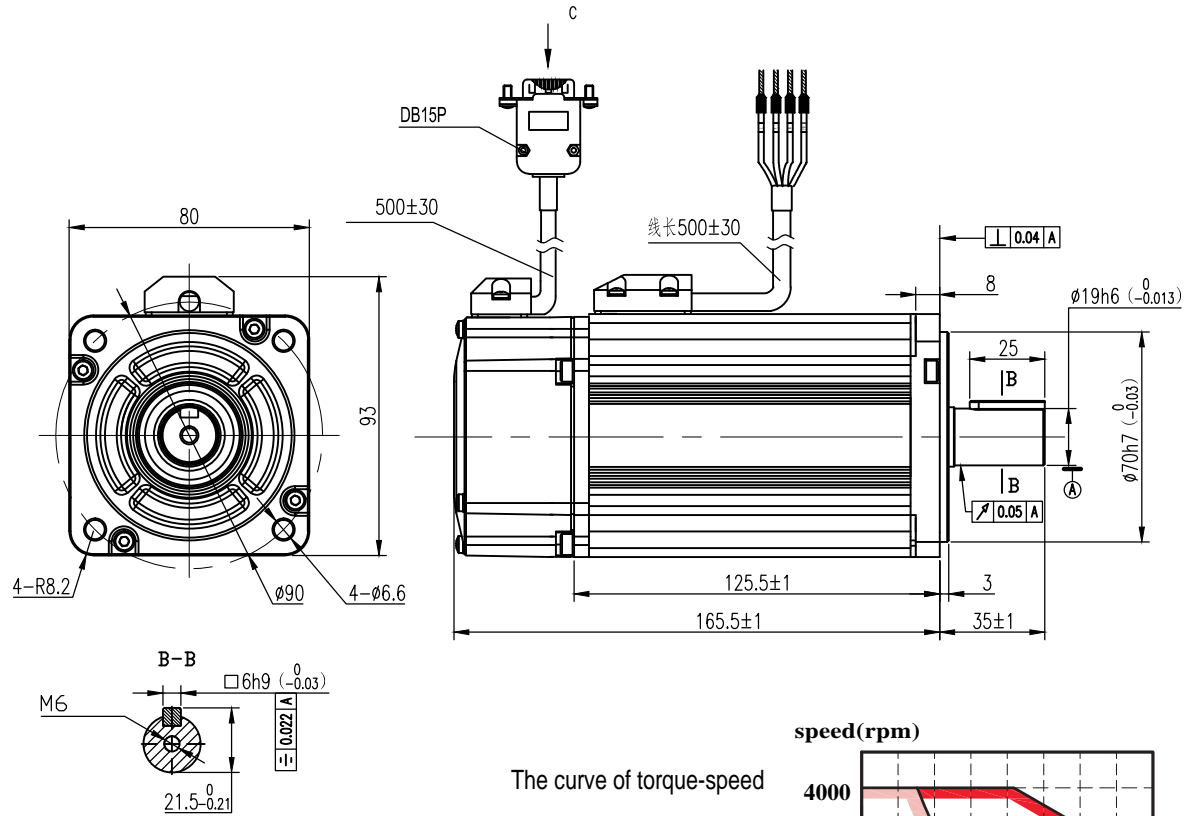
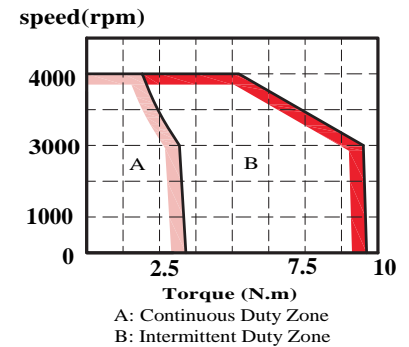


Rated voltage (VDC)	48
Rated power (W)	1000
Rated torque (N.m)	3.2
Max torque (N.m)	9.6
Rated speed (rpm)	3000
Max speed (rpm)	4000
Rated current (A)	28
Max current (A)	86
Torque constant (N.m/A)	0.13
Back EMF constant (mV/rpm)	7.7
Inertia(kg*m ² *10 ⁻⁴)	2.2
Resistance(Ω)	0.06
Inductance(mH)	0.17
Motor poles	8
Encoder	1000lines
Encoder cable	28AWG
Power cable	14AWG
Protection level	IP54

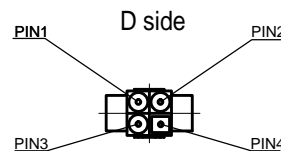
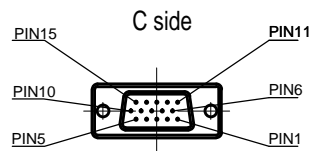


The curve of torque-speed



Type	DB15 Male of Encoder connector									
Pin	1	2	3	4	5	6	9	11	12	13
Defi	A+	B+	GND	V+	U+	PE	W+	A-	B-	+5V
Color	Green	White	Black	Orange	Brown	Shield	Gray	Green/black	White/black	Red

Type	Power connector			
Pin	1	2	3	4
Defi	U	V	W	FG
Color	Red	Blue	Black	Yellow/green



Leadshine Technology Co .Ltd

ELDM80100V48HM-A4

1000w servo motor with 1000 lines encoder