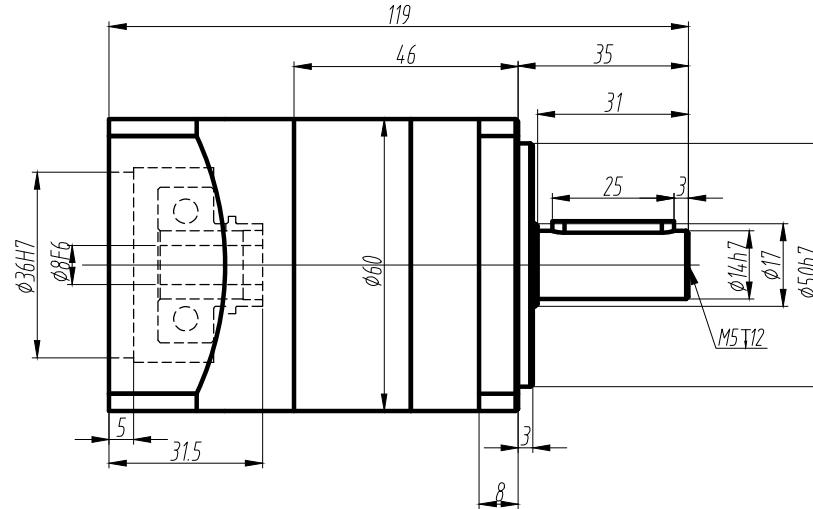
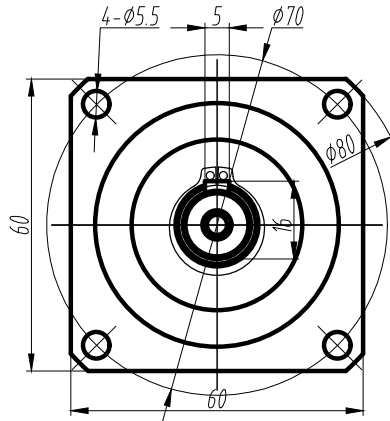
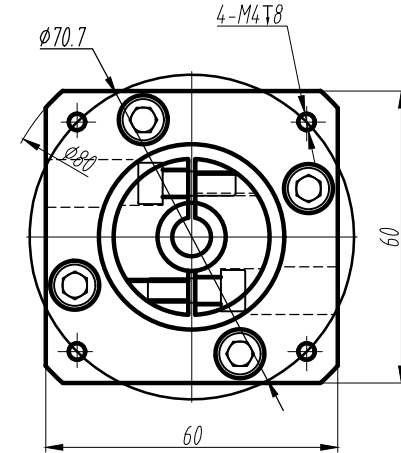


Unit: mm

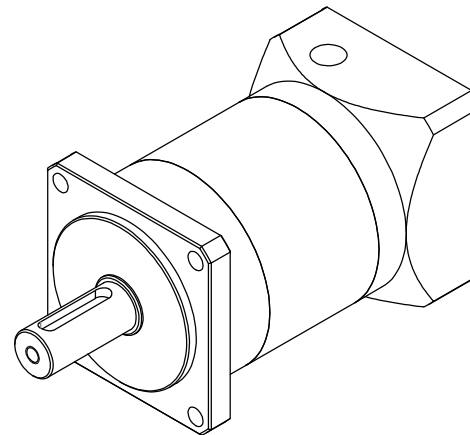
### Output



### Input



Gear Ratio	<b>10:1</b>
Nominal output torque (Nm)	<b>85.0</b>
Emergency stop torque (Nm)	<b>170.0</b>
Rated input speed (rpm)	<b>3000</b>
Max. input speed (rpm)	<b>6000</b>
Max. output radial load (N)	<b>485</b>
Max. output axial load (N)	<b>380</b>
Moment of inertia (Kg cm <sup>2</sup> )	<b>0.091</b>
Full load efficiency (%)	<b>96</b>
Noise (dB)	<b>&lt;60</b>
Backlash (acr min)	<b>≤12</b>
Input shaft diameter (mm)	<b>ø8</b>
Output shaft diameter (mm)	<b>ø14</b>
Operating temperature (°C)	<b>-25°~ +90°</b>
Average lifetime (h)	<b>20000</b>
Protection class	<b>IP65</b>
Weight (Kg)	<b>1.0</b>



Motor Input Shaft Diameter

Diameter	Select (✓)
ø19	
ø16	
ø14	
ø8	

Leadshine Technology Co. Ltd

**PLF060-10-P2-BJ-8-36**

Planetary Gearbox  
Frame Size 60mm, Ratio 10 :1

[www.leadshine.com](http://www.leadshine.com)