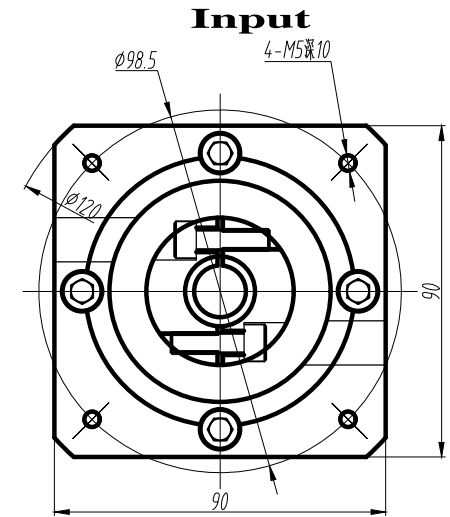
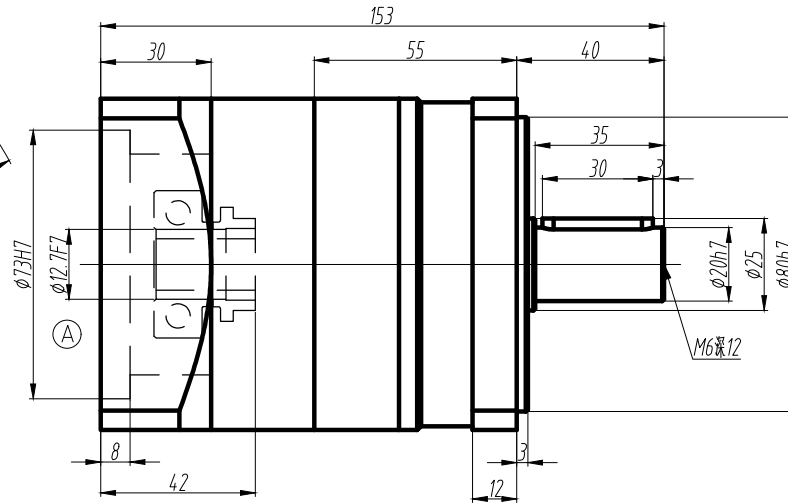
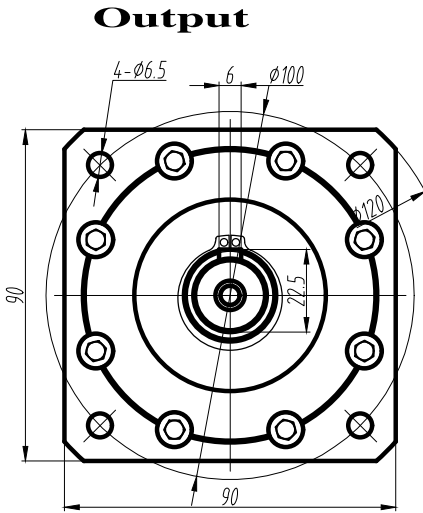
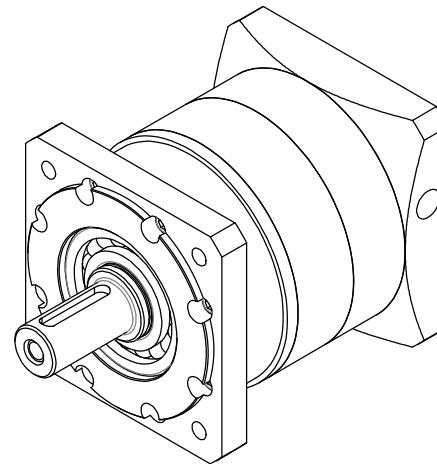


Unit: mm



Ratio	10:1
Nominal output torque (Nm)	39.5
Emergency stop torque (Nm)	79
Rated input speed (rpm)	3000
Max. input speed (rpm)	6000
Max. output radial load (N)	1020
Max. output axial load (N)	850
Moment of inertia (Kg cm ²)	0.283
Full load efficiency (%)	96
Noise (dB)	60
Backlash (acr min)	≤12
Input shaft diameter (mm)	Φ12.7
Output shaft diameter (mm)	Φ20
Operating temperature (°C)	-25°~ +90°
Average lifetime (h)	20000
Protection level	IP65
Weight (Kg)	2.8
Others	...



Motor input shaft diameter

Diameter	Select (v)
φ19	
φ16	
φ14	
φ12.7	

Leadshine Technology Co .Ltd

PLF090-10-P2-BJ-12.7-73

Planetary Gearbox
Frame size 90mm, Ratio 10:1

www.leadshine.com