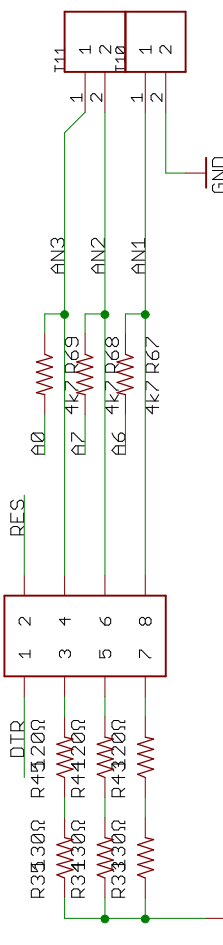
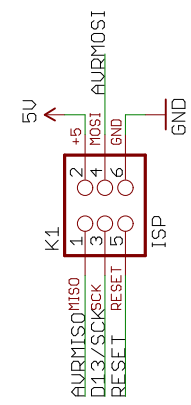
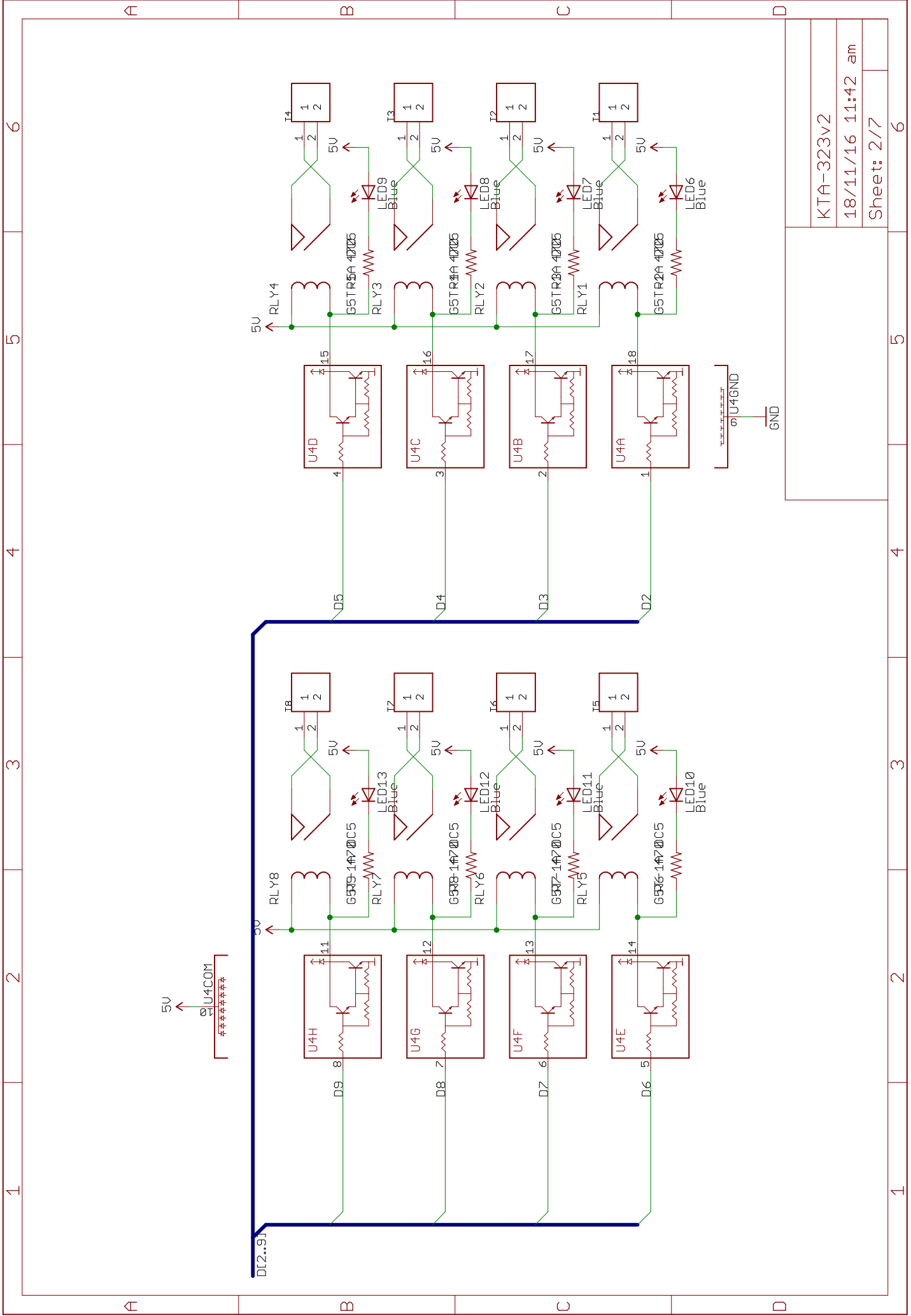


Released under the Creative Commons Attribution Share-Alike 3.0 License
<http://creativecommons.org/licenses/by-sa/3.0>
 Original Arduino Mini Design by Team Arduino
 Arduino Pro Mini Design by Spark Fun Electronics
 KTA-223 Relayduino Design by Ocean Controls

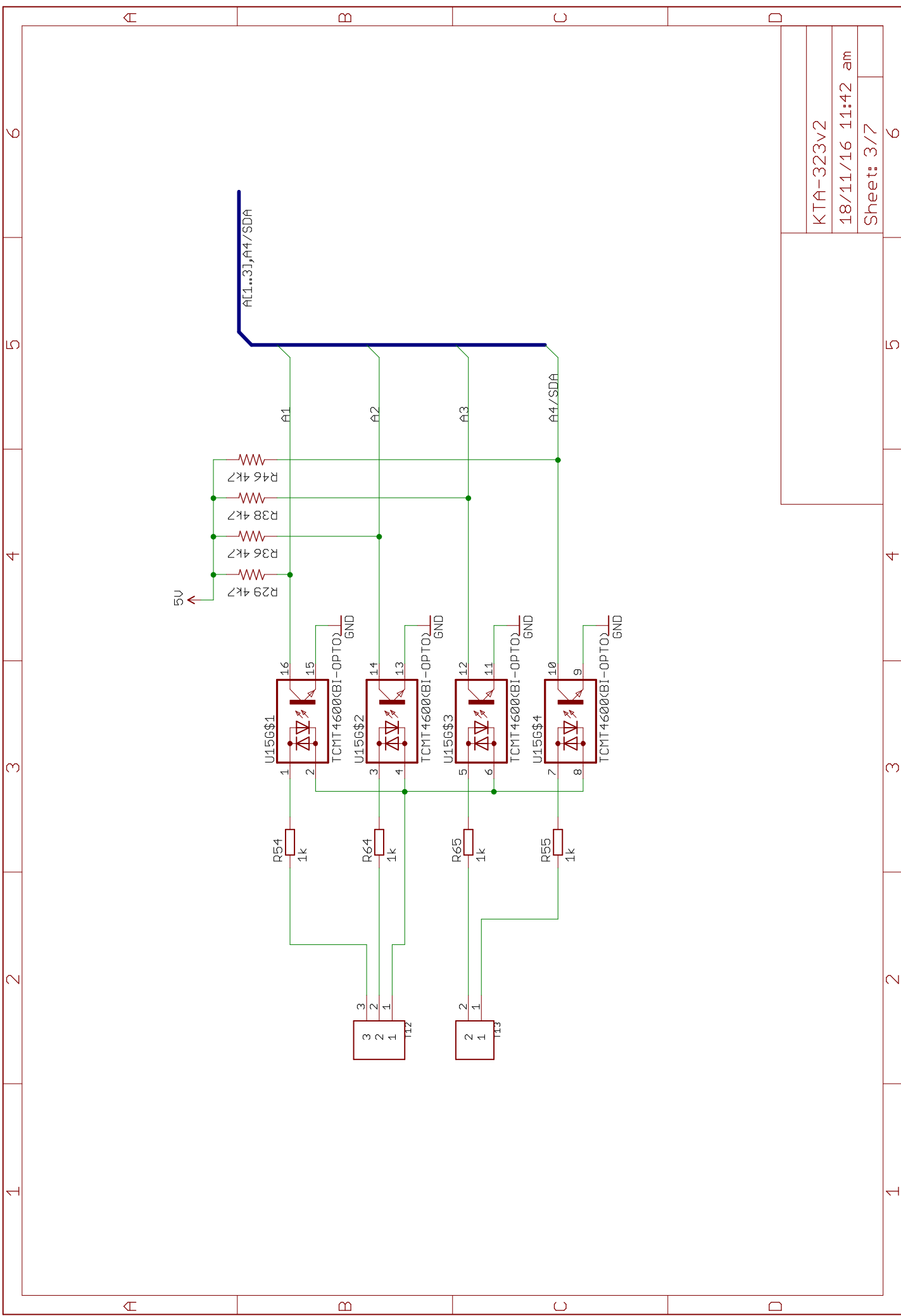
TEST DECAL	LOGO	LOGO	LOGO	LOGO

KTA-323v2
 18/11/16 11:42 am
 Sheet: 1/7

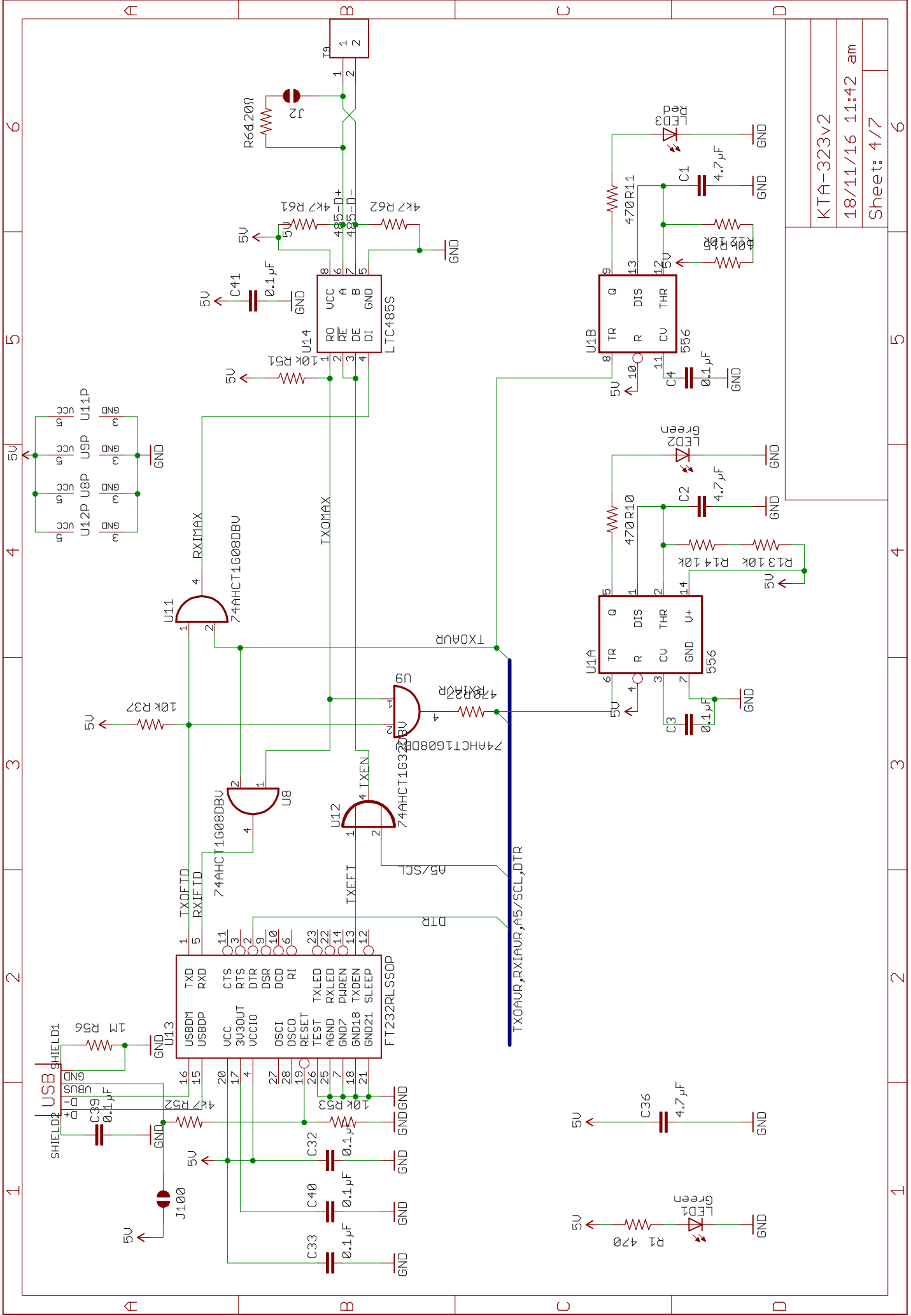




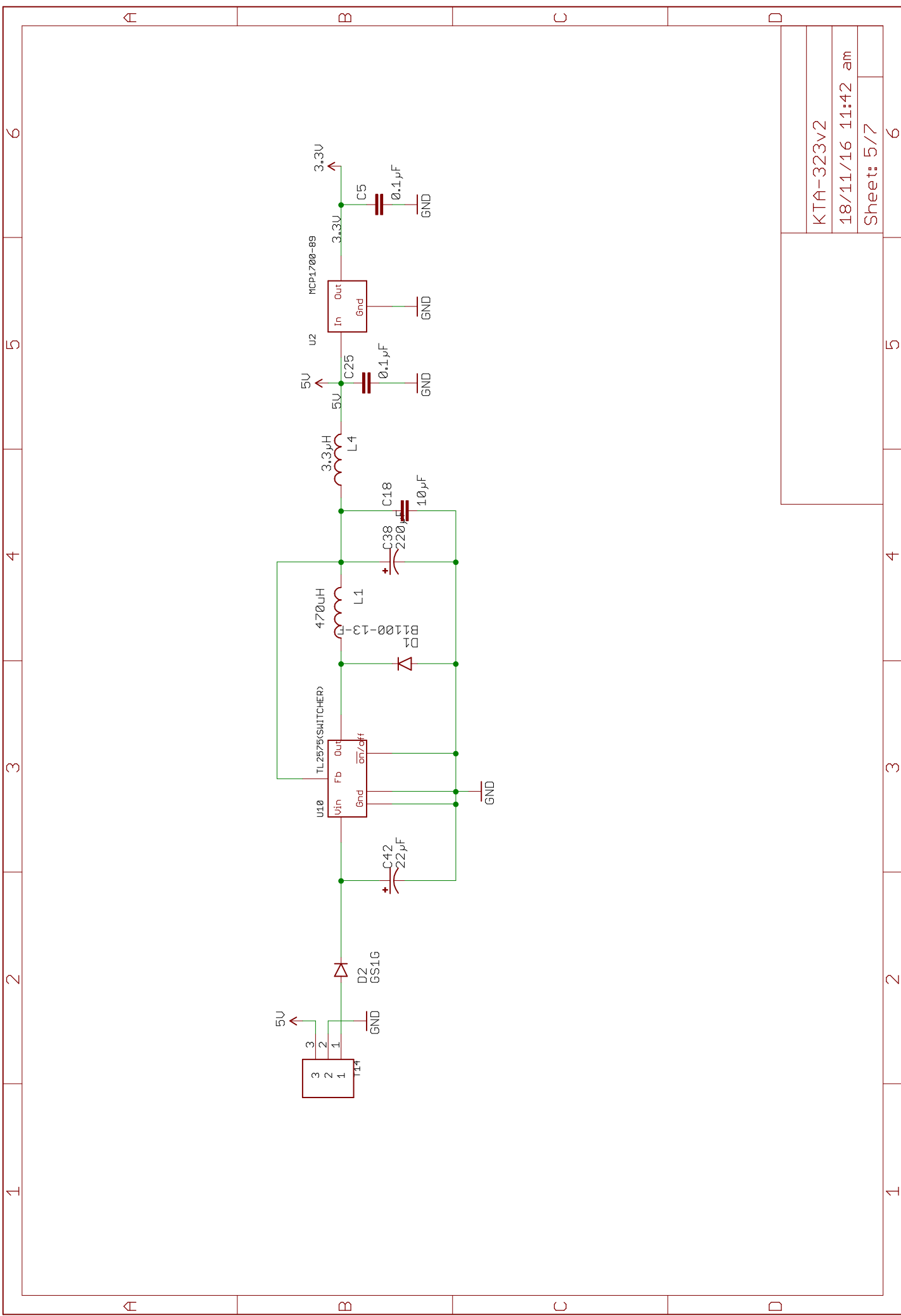
KTA-323v2
18/11/16 11:42 am
Sheet: 2/7



KTA-323v2	
18/11/16 11:42 am	
Sheet: 3/7	6



KTA-323v2
 18/11/16 11:42 am
 Sheet: 4/7



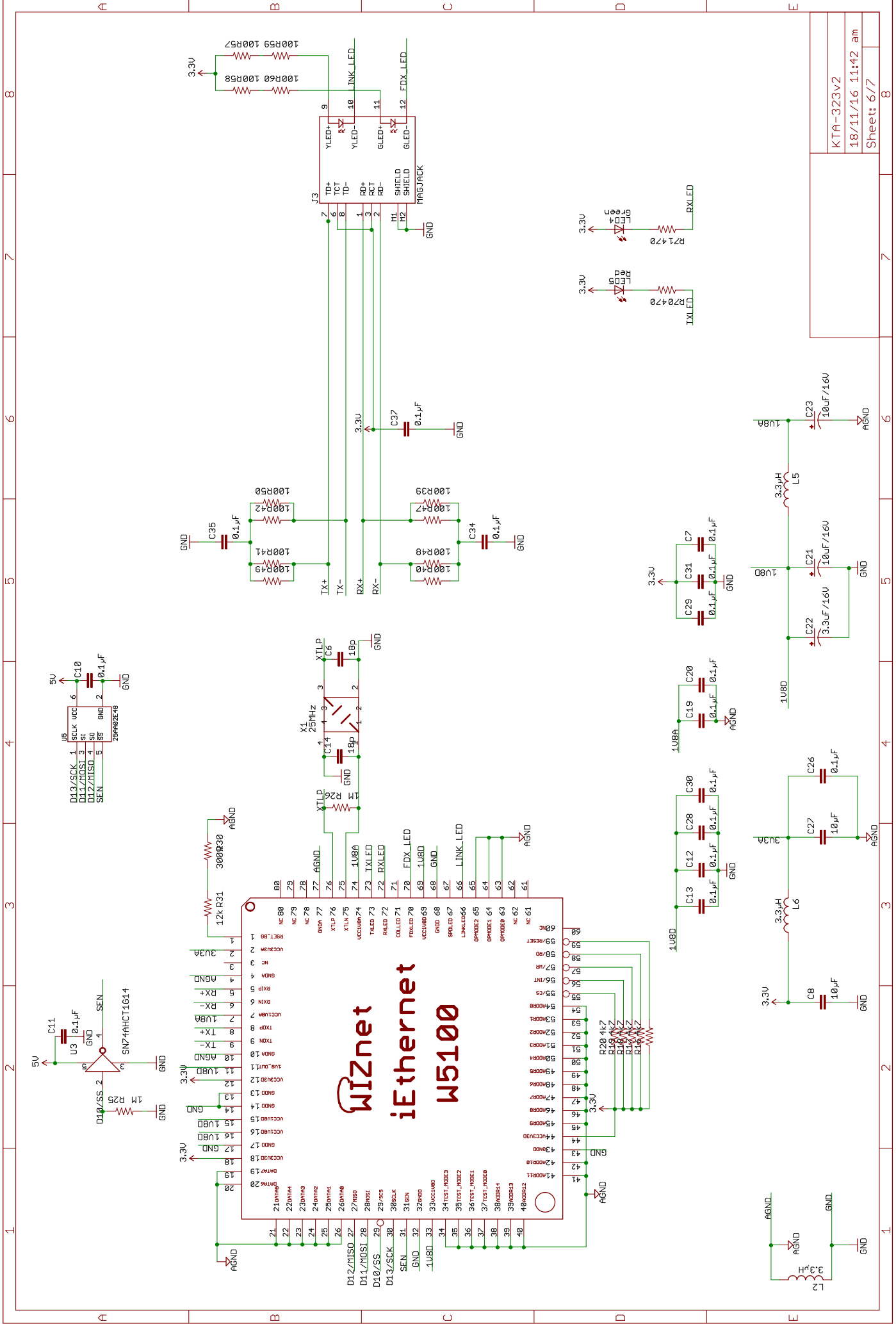
1 2 3 4 5 6

A B C D

A B C D

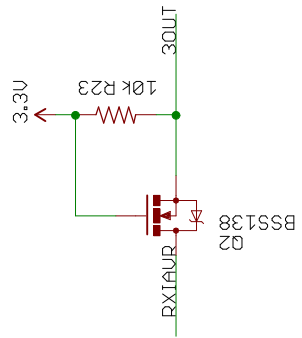
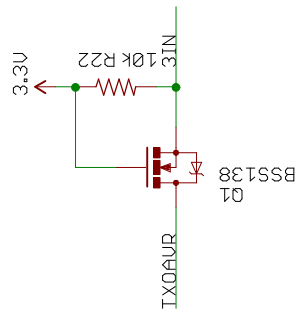
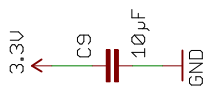
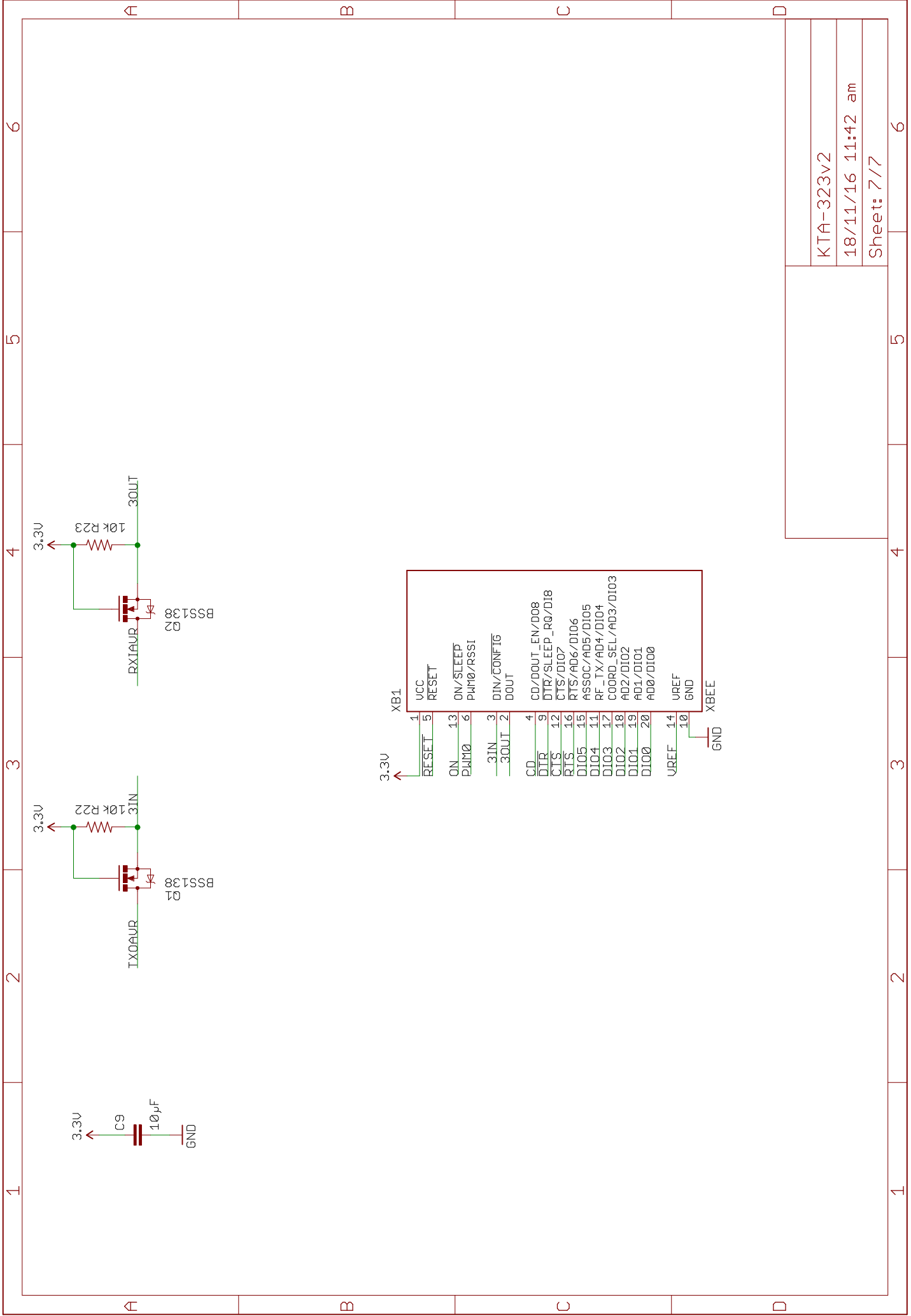
KTA-323v2	
18/11/16 11:42 am	
Sheet: 5/7	6

1 2 3 4 5 6



WIZnet iEthernet W5100

KTA-323V2
18/11/16 11:42 am
Sheet: 6/7



1	UCC
2	RESET
3	ON/SLEEP
4	PI/M0/RSSI
5	DIN/CONFIG
6	DOUT
7	CD/DOUT_EN/D08
8	DTR/SLEEP_RQ/D18
9	CTS/D107
10	RTS/AD6/D106
11	ASSOC/AD5/D105
12	RF_TX/AD4/D104
13	COORD_SEL/AD3/D103
14	AD2/D102
15	AD1/D101
16	AD0/D100
17	UREF
18	GND
19	GND
20	XBEE

KTA-323v2
18/11/16 11:42 am
Sheet: 7/7