



SPT-61

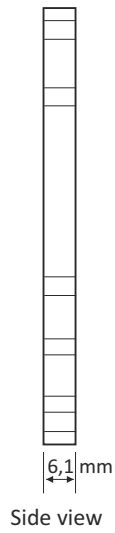
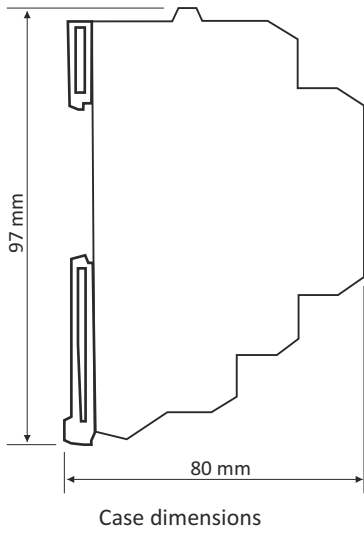
- Pt100/500/1000 to 4-20 mA converter module
- powered directly from current loop
- USB or RS-232/TTL interface
- automatic recognition of 2- and 3-conductor connection
- full linearisation of the input
- free configuration software S-Config
- DIN rail mounting, very thin case - only 6.1 mm

The **SPT-61** module is equipped with Pt 100 / Pt 500 / Pt 1000 type input with automatic recognition of 2- and 3-conductor connection. Due to precision of measurement 3-wire circuit is recommended. The measurement range spans from -100°C to +600°C, and input is fully linearised according to PN-EN60751+A2:1999 standard. Module allows conversion from temperature (RTD) to the current value in 4-20 mA standard. Measurement value is transmitted to the current loop output directly after recalculation according to scale selected by user. If input signal exceeds the permissible range, shortcut or break of measurement circuit occurs. The **SPT-61** module is equipped with peaks detection function. It can detect peaks of the input signal and hold their values. The device and registers configuration may be done via built in USB 1.1 interface, visible for PC as Virtual Com Port. Transducer parameters can be set by S-Config software. Every unit can be factory pre-configured on request.

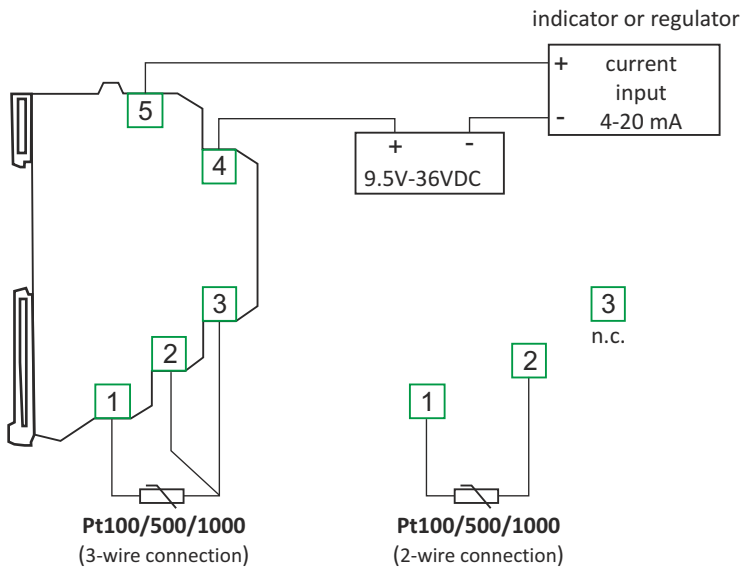
TECHNICAL DATA

Power supply / Power consumption	24V DC (9,5 ÷ 36V DC) 3.4 - 22.1 mA (during normal operation), max. 3.7 mA (during configuration, supplied from USB port)
Input	Pt 100/ Pt 500/ Pt 1000 (2- or 3-wires, automatic connection recognition)
Measurement range	-100°C ÷ +600°C
Accuracy	± 0.2°C (@ 25°C)
Temperature stability	0,01% / °C
Resolution	internal: 0.1°C output converter: 12 bits
Measurement wires resistance	max. 20 Ω
Output	passive current: range max. 3.4 ÷ 24 mA, load resistance 0... (Us - 9.5V) / 24 mA [kΩ]
Communication interface	mini USB - built-in MODBUS RTU port with USB VCP (Virtual Communication Port) interface or RS-232/TTL, 8N1 and 8N2, 9600 bit/sec., Modbus RTU, not separated
Data memory	non-volatile memory, EEPROM type
Software	S-Config 2 for configuration and data reading
Operating temp.	0°C ÷ +50°C
Storage temp.	-10°C ÷ +70°C
Humidity	5 to 90% no condensation
Protection class	IP 20
Mounting	DIN rail (35 mm)
Case material	NORYL UL 94 V-0
Dimensions	80 x 97 x 6,1 mm
Weight	ok. 40 g

DIMENSIONS



WIRING



ORDERING

SPT-61-1315-2-1-001

Note:

S-Config software can be downloaded from SIMEX webpage at www.simex.pl.

