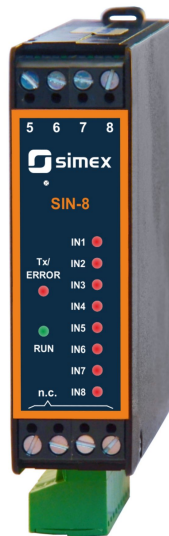


# User manual MODULE SIN-8

- Firmware: v.2.0 or higher
- Input type: voltage
- Dedicated for DAQ systems



Read the user's manual carefully before starting to use the unit or software.  
Producer reserves the right to implement changes without prior notice.

## **CONTENTS**

<b>1. BASIC REQUIREMENTS AND USER SAFETY.....</b>	<b>2</b>
<b>2. GENERAL CHARACTERISTICS.....</b>	<b>3</b>
<b>3. TECHNICAL DATA.....</b>	<b>3</b>
<b>4. DEVICE INSTALLATION.....</b>	<b>4</b>
4.1. UNPACKING.....	4
4.2. CONNECTION METHOD.....	4
4.3. MAINTENANCE.....	6
<b>5. PRINCIPLE OF OPERATION.....</b>	<b>7</b>
<b>6. THE MODBUS PROTOCOL HANDLING.....</b>	<b>8</b>
6.1. LIST OF REGISTERS.....	9
6.2. TRANSMISSION ERRORS DESCRIPTION.....	9
6.3. EXAMPLES OF QUERY/ANSWER FRAMES.....	9

### **Explanation of symbols used in the manual:**



- This symbol denotes especially important guidelines concerning the installation and operation of the device. Not complying with the guidelines denoted by this symbol may cause an accident, damage or equipment destruction.

**IF THE DEVICE IS NOT USED ACCORDING TO THE MANUAL THE USER IS RESPONSIBLE FOR POSSIBLE DAMAGES.**



- This symbol denotes especially important characteristics of the unit. Read any information regarding this symbol carefully

## **1. BASIC REQUIREMENTS AND USER SAFETY**



- **The manufacturer is not responsible for any damages caused by inappropriate installation, not maintaining the proper environmental conditions and using the unit contrary to its assignment.**
- Installation should be conducted by qualified personnel . During installation all available safety requirements should be considered. The fitter is responsible for executing the installation according to this manual, local safety and EMC regulations.
- The unit must be properly set-up, according to the application. Incorrect configuration can cause defective operation, which can lead to unit damage or an accident.
- **If in the case of a defect of a unit malfunction there is a risk of a serious threat to the safety of people or property additional, independent systems and solutions to prevent such a threat must be used.**
- Neighbouring and connected equipment must meet the appropriate standards and regulations concerning safety and be equipped with adequate overvoltage and interference filters.



**- Do not attempt to disassemble, repair or modify the unit yourself. The unit has no user serviceable parts. Defective units must be disconnected and submitted for repairs at an authorized service centre.**



**The unit is designed for operation in an industrial environment and must not be used in a household environment or similar.**

## **2. GENERAL CHARACTERISTICS**

Module type **SIN-8** allows monitoring of 8 binary inputs. Standard transmission functions of Modbus protocol make the device registers (address, state of inputs, device ID) accessible via RS-485 interface.

## **3. TECHNICAL DATA**

Power supply voltage	16... <b>24</b> ...30V DC (separated)
External fuse (required)	T - type, max. 1 A
Current consumption	20mA typically
Number of independent inputs	8
Input levels - low state:	0V
high state:	24V
Galvanic isolation	All inputs are galvanically isolated from module supply and RS-485 interface
Communication interface	RS 485, 8N1 / Modbus RTU
Baud rate	1200 ÷ 115200 bit/s
Number of modules in 1 network	maximum 128
Data memory	non-volatile memory, EEPROM type
Protection level	IP 20 (housing and connection clips)
Housing type	DIN rail mounted (35 mm rail)
Housing dimensions (L x W x D)	101 x 22.5 x 80 mm
Operating temperature (depending on version)	0°C to +50°C or -20°C to +50°C
Storage temperature (depending on version)	-10°C to +70°C or -20°C to +70°C
Humidity	5 to 90% no condensation
Altitude	up to 2000 meters above sea level
Screws tightening max. torque	0.5 Nm
Max. connection leads diameter	2.5 mm <sup>2</sup>
EMC	according to: PN-EN 61326-1



**This is a class A unit. In housing or a similar area it can cause radio frequency interference. In such cases the user can be requested to use appropriate preventive measures.**

## **4. DEVICE INSTALLATION**

The unit has been designed and manufactured in a way assuring a high level of user safety and resistance to interference occurring in a typical industrial environment. In order to take full advantage of these characteristics installation of the unit must be conducted correctly and according to the local regulations.



- Read the basic safety requirements on page 2 prior to starting the installation.
- Ensure that the power supply network voltage corresponds to the nominal voltage stated on the unit's identification label.
- The load must correspond to the requirements listed in the technical data.
- All installation works must be conducted with a disconnected power supply.

### **4.1. UNPACKING**

After removing the unit from the protective packaging, check for transportation damage. Any transportation damage must be immediately reported to the carrier. Also, write down the unit serial number on the housing and report the damage to the manufacturer.

Attached with the unit please find:

- user's manual,
- warranty,

### **4.2. CONNECTION METHOD**

#### **Caution**



- Installation should be conducted by qualified personnel . During installation all available safety requirements should be considered. The fitter is responsible for executing the installation according to this manual, local safety and EMC regulations.
- Wiring must meet appropriate standards and local regulations and laws.
- In order to secure against accidental short circuit the connection cables must be terminated with appropriate insulated cable tips.
- Tighten the clamping screws. The recommended tightening torque is 0.5 Nm. Loose screws can cause fire or defective operation. Over tightening can lead to damaging the connections inside the units and breaking the thread.



- In the case of the unit being fitted with separable clamps they should be inserted into appropriate connectors in the unit, even if they are not used for any connections.

**- Unused clamps (marked as n.c.) must not be used for connecting any connecting cables (e.g. as bridges), because this can cause damage to the equipment or electric shock.**

Due to possible significant interference in industrial installations appropriate measures assuring correct operation of the unit must be applied. To avoid the unit of improper indications keep recommendations listed below.

- Avoid common (parallel) leading of signal cables and transmission cables together with power supply cables and cables controlling induction loads (e.g. contactors). Such cables should cross at a right angle.
- Contactor coils and induction loads should be equipped with anti-interference protection systems, e.g. RC-type.
- Use of screened signal cables is recommended. Signal cable screens should be connected to the earthing only at one of the ends of the screened cable.
- In the case of magnetically induced interference the use of twisted couples of signal cables (so-called "spirals") is recommended. The spiral (best if shielded) must be used with RS-485 serial transmission connections.
- In the case of interference from the power supply side the use of appropriate anti-interference filters is recommended. Bear in mind that the connection between the filter and the unit should be as short as possible and the metal housing of the filter must be connected to the earthing with largest possible surface. The cables connected to the filter output must not run in parallel with cables with interference (e.g. circuits controlling relays or contactors).

External powers supply must be connected to the module (+U<sub>z</sub>, -U<sub>z</sub>, typically 24V DC) and two wires RS-485 (A+, B-) communication interface. Inputs are placed on bottom side of the module (see: Figure 4.2).

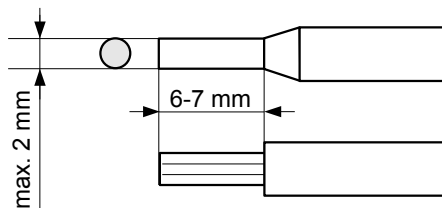


Figure 4.1. Method of cable insulation replacing and cable terminals

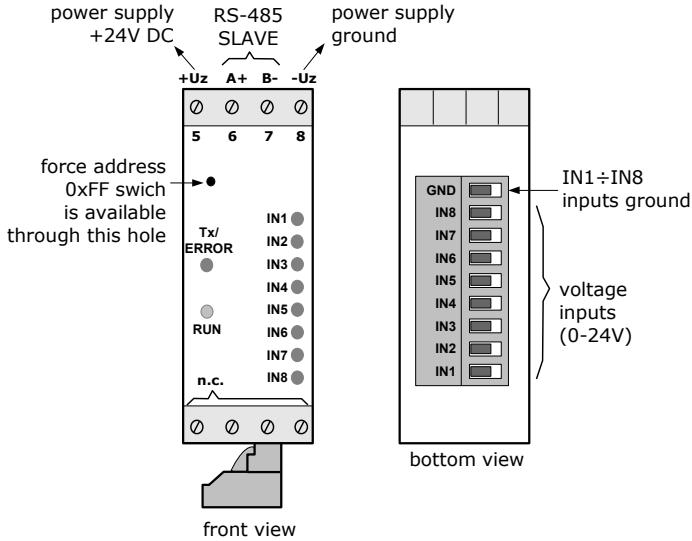


Figure 4.2. Terminals description



- When use of SMPS it is strongly recommended to connect PE wire.
- All connections must be made while power supply is disconnected !

### 4.3. MAINTENANCE

The unit does not have any internal replaceable or adjustable components available to the user. Pay attention to the ambient temperature in the room where the unit is operating. Excessively high temperatures cause faster ageing of the internal components and shorten the fault-free time of unit operation.

In cases where the unit gets dirty do not clean with solvents. For cleaning use warm water with small amount of detergent or in the case of more significant contamination ethyl or isopropyl alcohol.



Using any other agents can cause permanent damage to the housing.

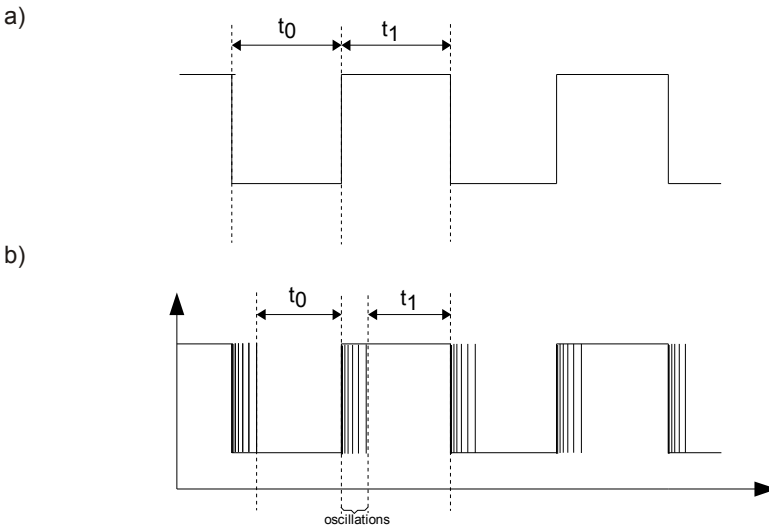


Product marked with this symbol should not be placed in municipal waste. Please check local regulations for disposal and electronic products.

## 5. PRINCIPLE OF OPERATION

After power on device signalizes its operation by continuous flashing of green LED marked (RUN). Short flash of red LED (Tx/ERROR) means that some data is being transmitted via RS-485 interface.

Green LEDs marked IN1 - IN8 signalize active state on particular binary inputs (logic HIGH state). When particular input is in active state then corresponding register value is 01h, otherwise its value is 00h. Register 09h contains information of all inputs compacted into single byte, where particular bits are related to particular inputs (see **THE MODBUS PROTOCOL HANDLING**).



*Figure 5.1. The traces of signals:  
a) without contacts oscillations, b) with contacts oscillations*

Actualisation of registers state occurs only if input signal have fulfil some time restrictions (see Figure 5.1). These restrictions depend on settings of internal digital filter implemented in firmware. Filter allows to eliminate signal oscillations corresponding to contacts bouncing (of mechanical sensors). Filter is factory switched off. To ensure proper working (it means that module do not omit any pulse) while filter is on duration of LOW ( $t_0$ ) and HIGH ( $t_1$ ) states must be not shorter than  $F \times 50 \mu s$ , where F means filter setting. While filter is „off” then  $t_0$  and  $t_1$  must be not shorter than 125  $\mu s$ . See the table below (Tab. 5.1) to check proper periods for all frequencies.

<i>filter setting (F)</i>	<i>t<sub>0</sub>, t<sub>1</sub></i>	<i>input signal frequency</i>	<i>input type</i>
0	125 μs	4 kHz	electronic input
1	50,0 μs	10 kHz	electronic or contact input
...	...	...	
255	12,75 ms	40 Hz	

Tab. 5.1. Time periods  $t_0, t_1$  depend on filtered frequency.

### **Forcing of 0xFF address**

New devices has set to Modbus addresses 0xFE. To enhance system installation process special operation mode has been developed. It allows to force address 0xFF in single module using internal momentary switch mounted on module mainboard (Figure 4.2).

To change address of the device to FFh, wait for a moment after power up until green LED (RUN) starts flashes. Next press and hold push-button about 4 seconds until green LED will lights permanently, then release push-button.

The device changes its MODBUS address to FFh and waits for a new address (readdressing). Green LED (RUN) stay permanently on until readdressing via RS-485, or power off. While module is in this state it is possible to control its inputs, and communication is possible using temporal address FFh.

At this moment MASTER controller should find new device and readdress it (to address other than 0xFF and 0xFE). After remote readdressing green LED indicator starts to flashes again.

**Simultaneously with change of device address, baud rate is changed to 9600 bit/s.** Required transmission speed (1200 bit/s. to 115200 bit/s.) can be set by write to register 22h. After change of transmission speed the device sends the answer with new baud rate. While installation of the new network it is recommended to readdress all devices using baud rate 9600 bit/s, and next change speed of all devices simultaneously, using BROADCAST query (with address 00h).

## **6. THE MODBUS PROTOCOL HANDLING**

Transmission parameters: 1 start bit, 8 data bits, 1 stop bit, no parity control

Baud rate: selectable from: 1200 to 115200 bits/second

Transmission protocol: MODBUS RTU compatible

The device parameters and display value are available via RS-485 interface, as HOLDING-type registers (numeric values are given in U2 code) of Modbus RTU protocol. The registers (or groups of the registers) can be read by 03h function, and wrote by 06h (single registers) accordingly to Modbus RTU specification. Maximum group size for 03h function can not exceeds 12 registers (for single frame).



The device interprets the broadcast messages, but then do not sends the answers.



## 6.1. LIST OF REGISTERS

Register	Write	Range	Register description
01h - 08h	No	0 or 1	States of particular binary inputs (addresses of registers correspond to particular inputs), read values: <b>1</b> – HIGH state (24V) , <b>0</b> – LOW state (0V)
09h	No	0 ÷ 00FFh	State of all inputs read as single register, particular bits are related to particular inputs; Bit <b>0</b> corresponds with input 1, bit <b>1</b> - to input 2 etc.
20h <sup>1</sup>	Yes	1 ÷ FFh	Device address. New devices has default address = FEh
21h	No	008Bh	Device identification code (ID)
22h <sup>2</sup>	Yes	0 ÷ 7	Baud rate [bit/sec]: <b>0</b> - 1200; <b>1</b> - 2400; <b>2</b> - 4800; <b>3</b> - 9600; <b>4</b> - 19200; <b>5</b> - 38400; <b>6</b> - 57600; <b>7</b> - 115200
23h	Yes	0 ÷ 255	Denouncing Filter state: <b>0</b> - disabled; <b>1</b> - filter setting <b>F</b> Input frequency equals: 1 / (F x 100 us)
FFF3h	No	0000 ÷ FFFFh	Firmware version (hexadecimal): e.g.: value <b>0123h</b> means version <b>1.23</b>

- 1 - after writing to register no 20h the device responds with an "old" address in the message.  
2 - after writing to register no 22h the device responds with the new baud rate.



If register 20h is being written it is possible to use BROADCAST frame (with address 00). This operation causes changing of addresses of all modules connected to the RS-485 network. Modules receive and interpret BROADCAST frames, but do not transmit answers.

## 6.2. TRANSMISSION ERRORS DESCRIPTION

If an error occurs while write or read of single register, then the device sends an error code according to Modbus RTU specifications.

Error codes:

- 01h** - illegal function (only functions 03h and 06h are available),  
**02h** - illegal register address  
**03h** - illegal data value

## 6.3. EXAMPLES OF QUERY/ANSWER FRAMES

Examples apply for device with address 1. All values are represent hexadecimal.

**Field description:**

- ADDR** Device address on modbus network  
**FUNC** Function code  
**REG H,L** Starting address (address of first register to read/write, Hi and Lo byte)  
**COUNT H,L** No. of registers to read/write (Hi and Lo byte)  
**BYTE C** Data byte count in answer frame  
**DATA H,L** Data byte (Hi and Lo byte)  
**CRC L,H** CRC error check (Hi and Lo byte)

**1. Read of device ID code**

ADDR	FUNC	REG H,L		COUNT H,L		CRC L,H	
01	03	00	21	00	01	D4	00

The answer:

ADDR	FUNC	BYTE C	DATA H,L		CRC L,H	
01	03	02	00	8B	F8	23

DATA - identification code (008Bh)

**2. Change of the device address from 1 to 2 (write to reg. 20h)**

ADDR	FUNC	REG H,L		DATA H,L		CRC L,H	
01	06	00	20	00	02	09	C1

DATA H - 0

DATA L - new device address (2)

The answer (the same as the message):

ADDR	FUNC	REG H,L		DATA H,L		CRC L,H	
01	06	00	20	00	02	09	C1

**3. Reading of input 5 current state.**

ADDR	FUNC	REG H,L		COUNT H,L		CRC L,H	
01	03	00	05	00	01	94	0B

Answer:

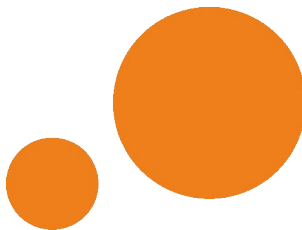
ADDR	FUNC	BYTE C	DATA H,L		CRC L,H	
01	03	02	00	01	79	84

DATA H, L - input state (1 – it means that high state is delivered to input 5)



There is no full implementation of the Modbus Protocol in the device. The functions presented above are available only.





**SIMEX Sp. z o.o.  
ul. Wielopole 11  
80-556 Gdańsk  
Poland**

**tel.: (+48 58) 762-07-77  
fax: (+48 58) 762-07-70**

**<http://www.simex.pl>  
e-mail: [info@simex.pl](mailto:info@simex.pl)**